

# Solar Charge Controller



SAMLEX EUROPE<sup>®</sup> B.V.

## MPPT Solar Charge Controller

**Model No.**

---

**VT-65**

**VT-80**

---

**User Manual / Benutzerhandbuch  
Manuel Utilisateur / Manual Para Utilizador**

**Please read this manual before operating your controller**



# Contents

<b>1</b>	<b>INTRODUCTION</b> .....	<b>5</b>
<b>2</b>	<b>GENERAL INFORMATION</b> .....	<b>5</b>
2.1	About this user manual .....	5
2.2	Important safety instructions .....	6
2.3	Conventions .....	6
2.4	Quality and warranty .....	6
2.4.1	Exclusion of warranty .....	6
2.4.2	Exclusion of liability .....	7
2.5	Warnings and guidelines .....	7
<b>3</b>	<b>MOUNTING AND INSTALLATION</b> .....	<b>7</b>
3.1	Storage .....	7
3.2	Unpacking .....	8
3.3	Mounting place .....	8
3.4	Fixing / Dimensions .....	8
3.4.1	Assembling the cooling fan (model VT-80) .....	9
<b>4</b>	<b>WIRING</b> .....	<b>10</b>
4.1	Elements of the cable compartment .....	10
4.2	Connection compartment .....	11
4.3	Photovoltaic generator (PV) .....	12
4.3.1	Dimensioning .....	12
4.3.2	Serial connection (string) of PV modules .....	12
4.3.3	Parallel connection of PV module strings .....	12
4.3.4	Safe use of the photovoltaic modules .....	13
4.3.5	Protection devices .....	13
4.3.6	Cable cross-section .....	13
4.3.7	Parallel connection of several VarioTracks .....	13
4.4	Connecting the battery .....	14
4.4.1	Dimensioning the battery .....	14
4.4.2	Precautions when using the batteries .....	14
4.4.3	Connecting the battery .....	15
4.4.4	Protection device of the battery .....	15
4.5	Multi-unit configurations .....	16
4.5.1	Extension of an existing installation .....	16
4.6	Earthing guidelines .....	17
4.6.1	Detecting an earth fault .....	17
4.7	Lightning protection .....	17
4.8	Connecting the communication cables .....	18
<b>5</b>	<b>POWER-UP OF THE EQUIPMENT</b> .....	<b>18</b>
<b>6</b>	<b>DISPLAY SYSTEM</b> .....	<b>20</b>
6.1	The « SET » button (4) .....	20
6.2	« Night » standby indicator (1) .....	20
6.3	« Charge » cycle indicator (2) .....	20
6.4	« Error » indicator (3) .....	21
6.5	Indicator for the amount of charge (5)-(6)-(7)-(8) .....	21
<b>7</b>	<b>BATTERY CHARGING PROCESS</b> .....	<b>22</b>
7.1	General points .....	22
7.2	Battery cycle .....	22
7.2.1	Bulk phase .....	22
7.2.2	Absorption phase .....	22
7.2.3	Floating phase .....	22
7.2.4	Equalization phase .....	22
7.2.5	Temperature compensation .....	23
7.3	Default battery charge cycle (original settings) .....	23
<b>8</b>	<b>CONFIGURING THE VARIOTRACK(S)</b> .....	<b>24</b>
8.1	Configuring the equipment by means of the internal DIP switches .....	24
8.2	Configuring the VarioTrack using the remote control RCC-02/03 .....	25
8.2.1	The real time clock .....	25

8.3	Description of the VarioTrack parameters.....	25
8.3.1	Convention.....	26
8.3.2	Parameter access level.....	26
8.3.3	Organisation of the configuration menu.....	26
8.3.4	Basic menu {10000}(menu).....	27
8.3.5	Management and battery cycle {10003} (menu).....	27
8.3.6	Floating phase {10004} (menu).....	28
8.3.7	Absorption phase {10007} (menu).....	28
8.3.8	Equalization phase {10016} (menu).....	29
8.3.9	New cycle {10028}(Menu).....	30
8.3.10	System {10038} (menu).....	31
8.4	Displaying the equipment status using the remote control RCC-02/-03.....	32
8.4.1	Displaying the status of a simple unit system.....	32
8.4.2	Displaying the operating mode of the equipment.....	32
8.4.3	Fault visualization (Info n°11034).....	32
8.4.4	Displaying the values of a multi unit system.....	33
8.4.5	Displaying messages and event history.....	33
<b>9</b>	<b>ACCESSORIES.....</b>	<b>34</b>
9.1	Remote control and programming unit RCC-02/-03.....	34
9.2	Temperature sensor BTS-01.....	35
9.2.1	Connecting the temperature sensor (BTS-01).....	35
9.3	External cooling fan ECF-01.....	35
<b>10</b>	<b>EQUIPMENTS COMPATIBLE WITH THE VARIOTRACKS.....</b>	<b>36</b>
10.1	Xtender inverters/chargers.....	36
10.2	Battery status processor BSP- 500/1200.....	36
10.3	Communication module Xcom-232i.....	36
<b>11</b>	<b>WIRING EXAMPLES.....</b>	<b>37</b>
11.1	VarioTrack + RCC-02.....	37
11.2	Comments on the wiring examples.....	37
11.3	VarioTrack + Xtender + RCC-02 + BSP + BTS-01 hybrid system.....	38
<b>12</b>	<b>MAINTENANCE OF THE INSTALLATION.....</b>	<b>39</b>
<b>13</b>	<b>PRODUCT RECYCLING.....</b>	<b>39</b>
<b>14</b>	<b>EC DECLARATION OF CONFORMITY.....</b>	<b>39</b>
<b>15</b>	<b>PARAMETER LIST.....</b>	<b>40</b>
<b>16</b>	<b>TECHNICAL DATA.....</b>	<b>41</b>
16.1	Input (PV generator).....	41
16.2	Output (battery).....	41
16.3	Environment.....	41
16.4	Electronic protection.....	41
<b>17</b>	<b>NOTES.....</b>	<b>42</b>

# **1 INTRODUCTION**

Congratulations! You are about to install and use an apparatus from the VarioTrack range. You have chosen a high-tech equipment that will play a central role in the energy production of your solar electrical installation. The VarioTrack has been designed to work as a solar battery charger; its advanced and completely configurable functionalities will guarantee a perfect functioning of your energy system.

When the VarioTrack is connected to batteries and photovoltaic panels, it automatically recharges batteries in an optimum way with all the available solar power.

The accuracy of the algorithm for searching the maximum operating point, the high output and a low internal consumption insure an optimal valorisation of the energy produced by the solar modules.

The charge profile may be set freely according to the battery type or the operation mode. The charging voltage is corrected depending on the temperature thanks to the optional external sensor BTS-01.

The remote control and programming unit RCC-02/-03 (optional) allows an optimal setup of the system and guarantees the user a permanent control over all important parameters for the installation with a clear display interface. Moreover, it allows recording the system data in order to analyse later its functioning (data logging).

The parallel operation of several chargers is possible and offers modularity and flexibility enabling an optimum dimensioning of your system according to your energy requirements.

The VarioTrack operates as independent equipment but is also designed to be included into a Samlex energy system together with the Xtender inverters-chargers, the BSP battery monitor, the remote control and programming unit RCC-02/-03 and the communication module Xcom-232i. Working together, this different equipment has a synchronised behaviour for a better management of the battery and of the solar resource.

To ensure that your system starts up and operates perfectly, please read this manual carefully. It contains all the necessary information regarding the operation of the VarioTrack charger. The installation of such a system requires special expertise and may only be carried out by qualified personnel familiar with the local standards in force.

## **2 GENERAL INFORMATION**

### **2.1 ABOUT THIS USER MANUAL**

This manual contains all the necessary information and procedures to install, configure, use and troubleshoot the VarioTrack charge regulators. It does not contain information about photovoltaic modules (PV) or batteries of various brands that can be connected. For this kind of information, please refer to the instructions of each specific manufacturer.

It covers the following models and accessories:

Charger: VarioTrack VT-65 – VarioTrack VT-80

Temperature sensor: BTS-01

Cooling fan: ECF-01

Note: The VarioTrack solar charger has a different specification dependent upon whether it is equipped with a cooling fan (model supplied under reference VT-80) or not (model supplied under reference VT-65).

It is also possible to add the ECF-01 cooling fan on a VT-65 model later (see chap. 9.3). If the fan is added, the specification will become that of a VT-80



This manual is an integral part of the equipment and must be kept available for the operator and/or the installer. It must remain near the installation so that it may be consulted at any time.

## 2.2 IMPORTANT SAFETY INSTRUCTIONS

This manual contains important safety instructions. Read carefully the safety and operation instructions before using the VarioTrack. Take into consideration all the warnings mentioned both on the equipment and in this manual following all the instructions regarding the operation and use.




For clarity's sake, in this manual the equipment is called VarioTrack, unit or equipment when the operation description applies either to the VT-65 or VT-80 model.

This user manual is intended to serve as a guideline for the safe and efficient use of the VarioTrack. Anyone who installs or uses a VarioTrack can completely rely on this user manual and is bound to observe all the safety instructions and indications herein.

This manual does not contain any information meant for persons other than the personnel qualified for the installation of such a product.


The installation and commissioning of the VarioTrack must be entrusted to qualified personnel. The installation and use must comply with the local safety instructions and standards in force in the country.

## 2.3 CONVENTIONS

	This symbol is used to indicate safety instructions which, if not followed, could result in serious personal injury or death to the operator or the user.
	This symbol is used to indicate a risk of material damage and/or the cancellation of the guarantee.
	This symbol is used to indicate a procedure or function that is important for a safe and correct use of the equipment. Failure to respect these instructions may lead to the cancellation of the guarantee or to a non-compliant installation.

In general, values important for the operation of the equipment (for example: battery voltage during absorption) are not mentioned and the parameter number is indicated in the following format: {xxxxx }. The value of the parameter can be found in the table chap. 15.

In most cases, these values can be modified with the remote control RCC-02/-03 (see chap.9.1).

	The parameter table available at the end of this manual (p. 40) must be kept updated in case the parameters are modified by the operator or the installer. If an authorised person modifies a parameter not included in the list (advanced parameters), the number of the modified parameter(s), the specifications of the parameter(s) and the new value set are to be indicated at the end of the table.
---	---

All the values that are not followed by a parameter number may not be modified.

All digits and letters indicated in brackets or in square brackets refer to items that can be found in the figures surrounded with a circle.

## 2.4 QUALITY AND WARRANTY

During the production and assembly of the VarioTrack, each unit undergoes several checks and tests which strictly comply with established procedures.

The manufacturing, assembling and testing of each VarioTrack are completely carried out in our factory in Sion (CH). The warranty for this equipment depends upon the strict application of the instructions in this manual.

The VarioTrack charge regulator has a FIVE (5) years warranty (starting from the date of production against material and manufacturing faults. The defective product will be either repaired or replaced at the discretion of Samlex.

### 2.4.1 Exclusion of warranty

No warranty claims will be accepted for damages resulting from handling, use or treatment that are not explicitly mentioned in this manual. In particular, damages arising from the following causes are excluded from the warranty:

- Voltage higher than 150V across PV or battery terminals.
- Battery reversed polarity across PV input terminals
- Accidental presence of liquids in the equipment or oxidation due to condensation.
- Damage resulting from falls or mechanical shocks.
- Modifications carried out without the explicit authorisation of Samlex.
- Nuts or screws that have not been tightened sufficiently during the installation or maintenance
- Damage due to atmospheric surge voltage (lightning).
- Damage due to inappropriate transportation or packaging.
- Disappearance of original identification marks.



Never take off or damage the rating plate showing the serial number. It enables to check and follow-up the data specific to each equipment and is vital for any warranty claim.

### 2.4.2 Exclusion of liability

The installation, commissioning, use, maintenance and servicing of the VarioTrack cannot be subject of monitoring by Samlex. Therefore, we disclaim all responsibility and liability for damage, costs or losses resulting from an installation that does not comply with the instructions, a faulty operation or inadequate maintenance. The use of Samlex equipment is in any case under the responsibility of the customer.

This equipment is neither designed nor guaranteed to supply installations used for vital medical care nor any other critical installation entailing potential risks of important damage to people or to the environment.

We assume no responsibility for the infringement of patent rights or other third parties rights resulting from the use of the inverter.

Samlex reserves the right to make any modifications to the product without prior notification.

Samlex is not liable for incidental, direct or indirect damages of any kind, including any profit loss, revenue loss or damages caused to equipment or goods due to defective equipment.

## 2.5 WARNINGS AND GUIDELINES

The installation and commissioning of the VarioTrack must be entrusted to skilled and qualified personnel perfectly aware of the safety precautions and local rules in force. All elements connected to the VarioTrack must comply with the laws and regulations in force.



### **HIGH-VOLTAGE DC INSIDE THE CHARGE REGULATOR: DANGER OF DEATH**

When the VarioTrack is under operation, it generates voltages that can be potentially lethal (up to 150Vdc). Any work on or close to the installation must be carried out only by thoroughly trained and qualified personnel. Do not try to carry out ordinary maintenance on this product yourself.

While working on the electrical installation, it is important to make sure that the source of DC voltage coming from the battery as well as the source of DC voltage coming from the photovoltaic generator, have been disconnected from the electrical installation.

Even when the VarioTrack has been disconnected from the power sources, a potentially dangerous voltage may remain at the terminals. To eliminate them you have to wait for at least **120 seconds** in order to allow the electronics to discharge. The task can then be carried out safely.

No person is authorized to proceed with any change, modification or repair of the equipment without the prior written authorisation of Samlex. Use only original parts for any authorised modification or replacement.

Do not exceed the maximum rated characteristics of the equipment shown on the Type label.

## 3 MOUNTING AND INSTALLATION

### 3.1 STORAGE

The equipment must be stored in a dry environment at an ambient temperature between -20°C

and 60°C. Store it in the location where it is to be used a minimum of 24 hours before commissioning in order to avoid thermal shocks and condensation problems.

### 3.2 UNPACKING

When unpacking, check that the VarioTrack has not been damaged during transportation and that all accessories listed below are present. Any fault must be immediately reported to the product distributor or the contact mentioned at the back of this manual.

Check carefully the packaging as well as the VarioTrack.

Standard accessories:

- Installation and operation manual
- Mounting plate
- Cable-glands for battery and PV cables

### 3.3 MOUNTING PLACE

The mounting place for the VarioTrack is particularly important and must fulfil the following criteria:

- Protected from any unauthorized person.
- In mobile applications, it is important to select a mounting place that ensures no vibration
- Protected from direct solar radiation or heat sources.

The VarioTrack have a high degree of protection (IP-54). They can thus be installed outdoor or in an environment exposed to dust or splashes. However, **do not expose the VarioTrack under direct solar radiation** or near a heat source. The presence of a heat source may reduce significantly its rated power. Similarly, insufficient ventilation may lead to the overheating of some internal components of the equipment. In this case, the device will automatically limit its power as long as this abnormal situation persists.

As far as possible, reduce exposure to sudden temperature variation: important heat variation may create undesired and harmful condensation inside the equipment.

The VarioTrack is electronically protected against overloads, short-circuits, overheating, polarity reversal of the battery, polarity reversal of the PV, connexion of the panels to the battery input and connexion of the batteries to the PV input.

### 3.4 FIXING / DIMENSIONS



The VarioTrack is a heavy equipment (~5kg) and must be mounted to a support (wall) designed to bear such a load. It is imperative to ensure a complete and safe fastening of the equipment. If simply hung, it may fall down and cause severe damages.

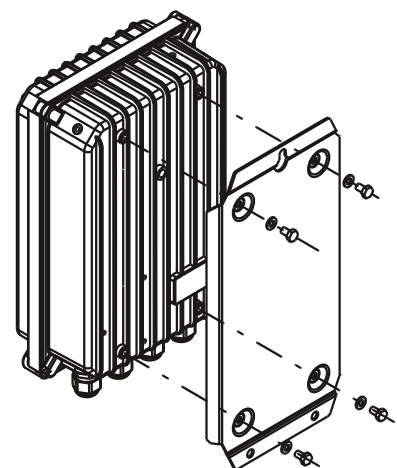
The VarioTrack must be installed vertically. A distance of at least 5cm between the units and/or 20cm around the equipment is required to guarantee adequate ventilation.

If the VarioTrack is installed in a closed cabinet, it must have a sufficient ventilation to guarantee that the ambient temperature is kept within the operating limits of the VarioTrack.

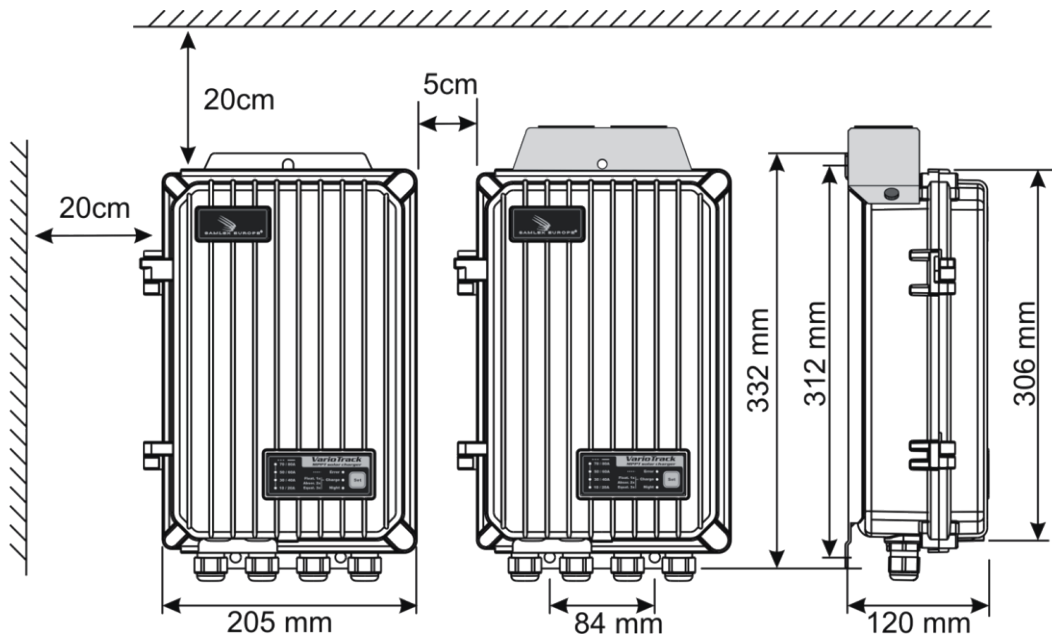
In motor vehicles, or when the support undergoes significant vibrations, the VarioTrack is to be mounted on anti-vibration elements.

The VarioTrack enclosure is fitted with a support plate to be mounted on the back of the case using 4 screws M6 and washers (see fig. hereafter), before wall mounting. Mount it vertically with the cable-glands downward.

An external cooling fan (ECF-01) can be installed before or after the equipment has been mounted on the wall in order to improve its performances.







### 3.4.1 Assembling the cooling fan (model VT-80)

The VarioTrack having the reference VT-80 is supplied with an external cooling fan module (ECF-01). This module can be installed before or after mounting the VarioTrack on the wall (see also chap. 9.3 - p. 35).



The **case** of the VarioTrack can reach a **temperature higher than 60°C** when used for a long period at maximum performance. This high temperature can last several tens of minutes after the equipment has been turned off. Install it in a restricted access area, away from children or any unauthorized person.

## 4 WIRING



The connection of the VarioTrack charger is an important step during the installation. It may be carried out only by personnel qualified and aware of the rules and regulations in force. The installation must always comply with these standards. The cross-sections of the cables connected to its terminals must comply with local regulations. Make sure that connections are completely tightened and that each wire is connected at the right place.



The VarioTrack is intended to be connected exclusively to a source like a photovoltaic generator, excluding any other energy source. It is suitable for charging any type of lead-acid batteries. It is often possible to charge any other type of battery using proper settings and with the express approval of the battery supplier.

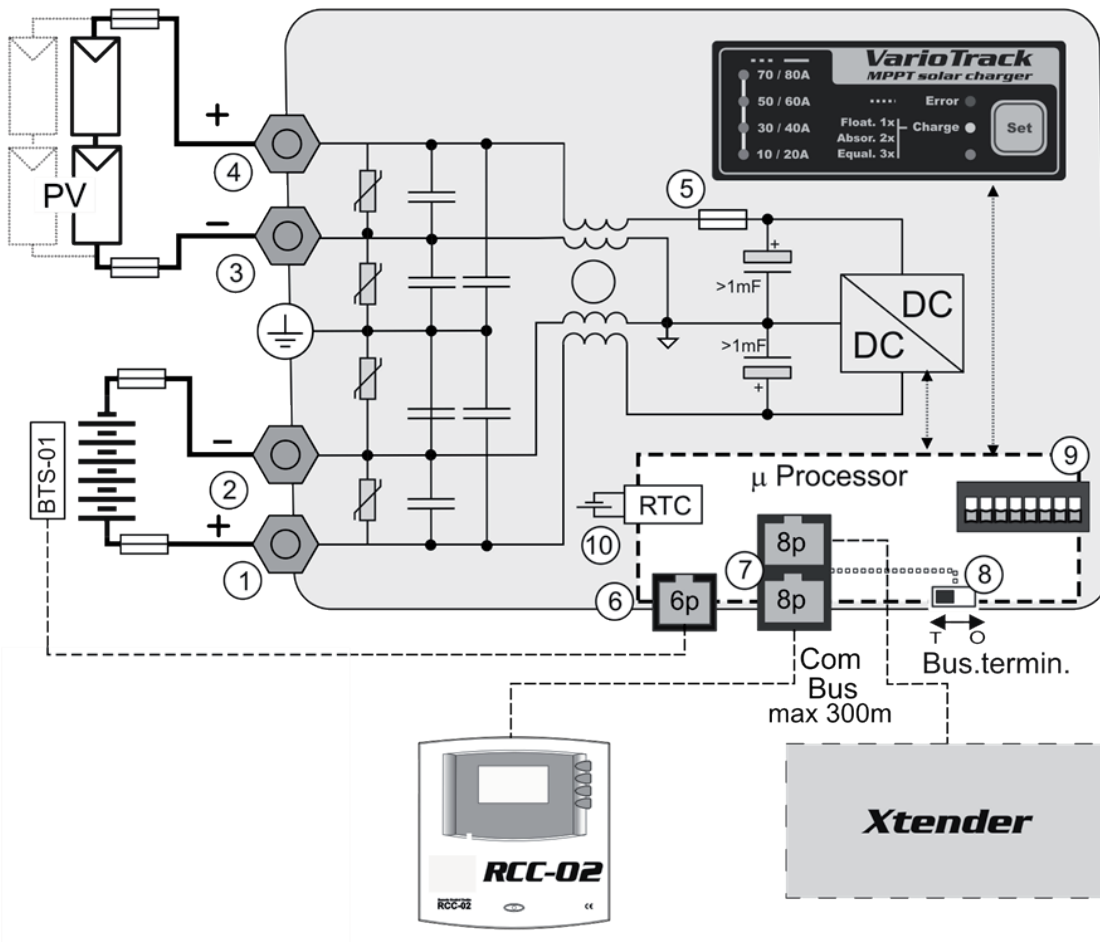
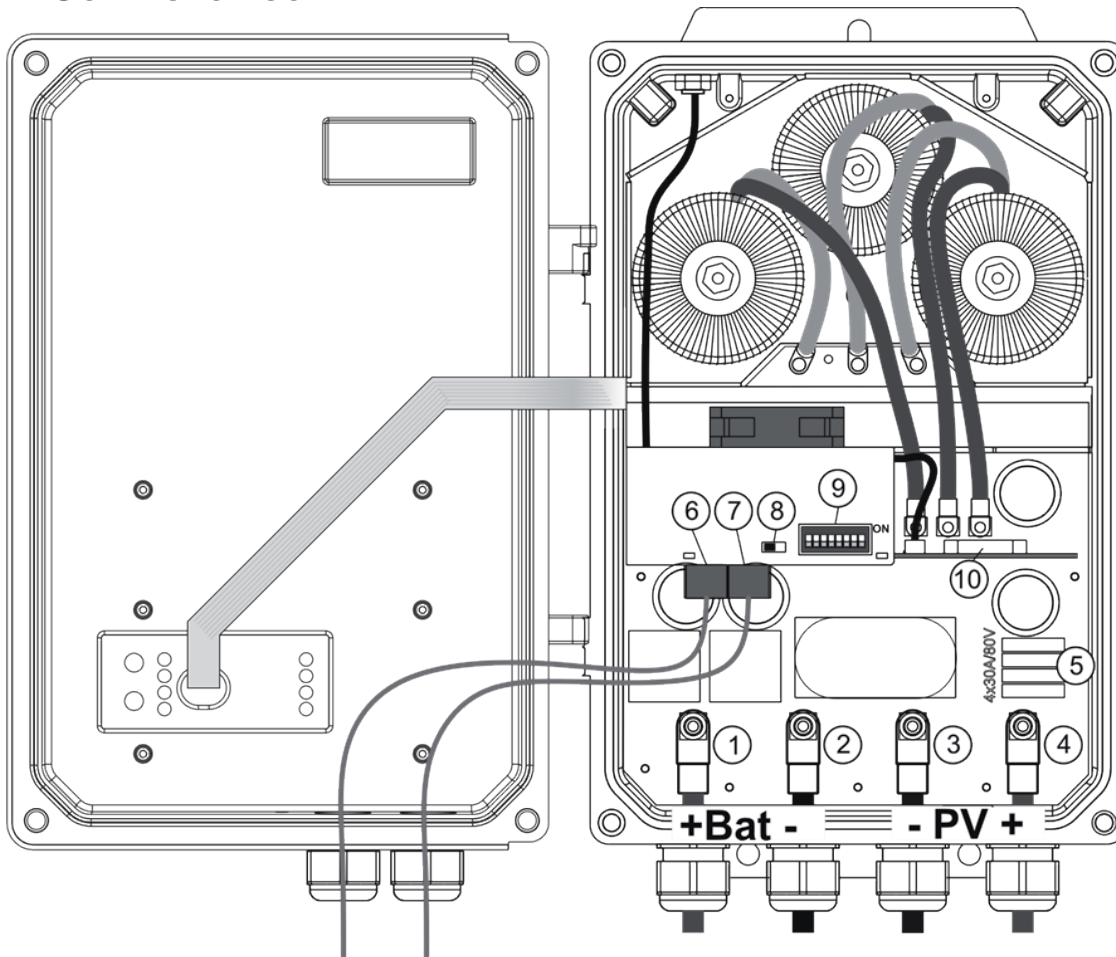


The connection compartment of the VarioTrack must remain permanently closed while the apparatus is operating. Before opening, check that all voltage sources (battery and PV) have been disconnected or switched off and wait for at least 2 minutes before opening the equipment. It is imperative to close the protection cover on the connection terminals after each servicing.

### 4.1 ELEMENTS OF THE CABLE COMPARTMENT


No.	Description	Comments
1	Terminal to connect the battery positive pole	This connection must be done using a protection and disconnection device if the pole has not been earthed.
2	Terminal to connect the battery negative pole	This connection must be done using a protection and disconnection device if the pole has not been earthed.
3	Terminal to connect the solar generator negative pole	The solar generator wiring must be carried out in compliance with the voltage and current limits mentioned on the rating plate.
4	Terminal to connect the solar generator positive pole	
5	Input protection fuse	Fuse 4 x 30A / 80V. See sect. 4.4.4.1
6	Socket for BTS-01 (battery temperature sensor) and ARM-02 (auxiliary relay module) accessories	Only the mentioned original accessories can be connected to this connector. See chap. 9
7	Socket for communication cables	RJ45 connector used for connecting equipment of the Xtender family. These connections must be carried out only with original Samlex cables.
8	Termination switch	The switch must be placed in position O (towards (9) when both connectors (7) are used).
9	configuration switches	The various possible configurations are described in chap. 8.1
10	Real-time clock battery (type CR 2032)	The equipment is fitted with a battery lasting about 10 years.

## 4.2 CONNECTION COMPARTMENT



### 4.3 PHOTOVOLTAIC GENERATOR (PV)

The VarioTrack may accept input voltages between 0 to 150V max. Its operating range as a charger starts from a value above the battery voltage up to 145V.



If the no-load voltage of the panel is above 75V (in all the temperature range), the whole solar system must be installed according to class of protection II.

#### 4.3.1 Dimensioning

The solar generator is dimensioned to cover an important part or the entire power requirement of the system. Once the power has been decided upon, it will be distributed among one or more solar charge regulators, wisely combining the modules among them. These combinations in series and in parallel must be carried out according to the voltage and current limits of the VarioTrack regulator.

#### 4.3.2 Serial connection (string) of PV modules

To get the optimum voltage, the solar modules shall be connected in series to form a string having the desired voltage. The optimum operating voltage of the module string (Umpp) must always be above the battery voltage. To establish the **minimum** number of PV modules to be connected in series in the same string, the max voltage of the battery (Ubat) must be multiplied by 1.1 and divided by the modules Vmpp voltage.

For example, in a system with a VLA type lead-acid battery supporting equalization at 60V:  $60 \times 1.2 / 17 = 4.2$ .

The result must be **rounded up to the highest value** (i.e. 5 modules - of 17 Umpp - in series for the above example).

The open-circuit voltage of the string must be lower than 150V under any temperature and irradiation conditions. A 10 to 20% margin is recommended in order to cover these unknowns.

To establish the maximum numbers of the PV modules connected in series in the same string, use the following formula:  $150V / (Uoc \times 1.1)$ . (Example:  $150 / (22 \times 1.1) = 6.2$ ). The result must be **rounded down to the lowest value** (i.e. 6 modules - of 22 Voc - in series for the above example).

There should be thus 5 or 6 PV modules in series of the mentioned model for a 48V system as per this example.

The table hereunder gives an idea of the possible arrangements for common panels according to the number of cells or their type:

	36 cell module Voc < 23V		60 cell module Voc < 37V		72 cell module Voc < 45V		Thin layer module Voc > 80V	
	max.	opt.	max.	opt.	max.	opt.	--	
<b>U Battery</b>								
12V	<b>3</b>	<b>2</b>	<b>2</b>	<b>1</b>	<b>1</b>	<b>1</b>	<b>0</b>	<b>Number of modules per string</b>
24V	<b>6</b>	<b>3</b>	<b>3</b>	<b>2</b>	<b>3</b>	<b>2</b>	<b>1</b>	
48V	<b>6</b>	<b>5</b>	<b>3</b>	<b>3</b>	<b>3</b>	<b>3</b>	<b>1</b>	

Beware of the PV module temperature! The above values are for modules under standard test condition (STC).

#### 4.3.3 Parallel connection of PV module strings

To get the required charging power, 2 or more strings are usually to be connected in parallel. Each string connected in parallel shall be composed by the same number of modules of the same type.

The number of strings connected in parallel depends on the power of each module. The sum of the power of all the panels connected to a VarioTrack should not exceed the power that the VarioTrack can charge, see table hereafter.

The number of strings to be connected in parallel must not exceed the maximum power (see table hereafter) divided by the power of a string.

For example, in a 48V system with strings composed of 5 in-series modules of 100W connected to

**Maximum recommended power for the solar generator**

Battery	VT-65	VT-80
12V	1000W	1250W
24V	2000W	2500W
48V	4000W	5000W

model VT-65:  $4000 / 500 = 8 \Rightarrow$  8 strings (4000W) can be put in parallel.

These strings of 5 modules in series may become 10 when connected to model VT-80.

If the maximum currents mentioned in chap. 4.3.3.1 are respected, the PV generator can be over-dimensioned in order to get the required charging power even when solar irradiation is lower. In this case, a part of the energy will be lost when the solar irradiation is higher.

Note: the VarioTrack has a current limit. The maximum power of the VarioTrack depends on the charging phase voltage of the battery.

#### 4.3.3.1 Maximum current of the solar generator

The maximum current of the solar generator (sum of the short-circuit currents for all the strings connected in parallel) is 60A for model VT-65 and 75A for model VT-80.



Note: the National Electrical Code (NEC) in force in the United States requires a limit of the solar generator current  $\leq 0.8 \times$  rated current of the solar regulator. Thus in order **to comply with NEC, the maximum current for the solar generator is 52A for the VarioTrack model VT-65 and 64A for model VT-80.**

In any case, the VarioTrack will limit the charging current (battery) to its rated current, i.e. 65A for model VT-65 and 80A for model VT-80.

#### 4.3.4 Safe use of the photovoltaic modules



The VarioTrack is meant for PV generators supplying up to 150Vdc. This voltage is dangerous to man.

During the installation or the maintenance of the system, it is imperative to make sure that no dangerous voltage may surge in the system. The disconnection device must be open and secured against any accidental reclosing.

#### 4.3.5 Protection devices

Wiring protection devices (fuses, circuit breakers) connecting the PV generator to the VarioTrack must be installed according to the standards.

The DIN VDE 0100-712 standard prescribes a switching device on all poles between the PV generator and the charge regulator. This device must be supplied by the installer.

PV modules are often very exposed to storm weather. It is highly recommended to install lightning protection (see chap. 4.7).

#### 4.3.6 Cable cross-section

The connection cable cross-section must be chosen according to the short-circuit current of the PV generator and the local installation rules. A 25mm<sup>2</sup> cross-section is recommended.

Terminals (M6) must be tightened at a torque of 5 Nm

All connection cables as well as the PV cables must be mounted using cable restraints in order to avoid any traction on the connection.

#### 4.3.7 Parallel connection of several VarioTracks

As much as necessary VarioTrack could be connected in parallel on the same battery bank according to the battery capacity. Each will have its own independent solar generator and is connected with its own disconnecting and protective device to the battery.

Up to 15 VarioTrack could be synchronized and interconnected to the same communication bus (see chap. 4.8) on a single system. Beyond these 15 units, any additional unit will not be interconnected and thus their battery cycles will work independently.



When the VarioTrack are not synchronized, they must be programmed in a same way and it's recommended to not activate the periodical equalization function.

The equalization can be manually started or will be done by the synchronized units.

Solar generators may be of various types and be orientated differently. Each VarioTrack will adjust the optimum point of the PV generator independently of the other units connected to the same battery.



PV generators can in no circumstance be connected together in whatever manner before the VarioTrack.



In multi-unit systems, all the VarioTracks of a same system must be connected to the same battery bank.



In multi-unit systems, each VarioTrack is connected to the common battery using its own protection device. All other consumers or sources are connected directly to the battery using their own protection device.

## 4.4 CONNECTING THE BATTERY

The VarioTrack is a device which DC (battery) connection is to be connected exclusively to a battery. Most of the time, lead-acid batteries with liquid (VLA, VRLA) or gelled (GEL) and AGM electrolyte may be used.

It can be easily configured to create charge profiles that are compatible with these various types of lead-acid batteries.



The use of other battery types like Ni-Cd, Li-ion or other is possible if the charge profile is properly programmed, in accordance with the specifications of the battery manufacturer, in agreement with him and under the responsibility of the installer.



The use of the VarioTrack connected to any other type of DC source without battery (buffer) is strictly forbidden and may cause significant damage to the equipment and / or to the source.

### 4.4.1 Dimensioning the battery

The battery bank is dimensioned depending on the user's daily power consumption and the number of days of autonomy required.

It is dimensioned in order to reduce the daily discharge depth as well.

In any case, the battery bank must be dimensioned in order to reach a reasonable ratio between the maximum charging current and the battery capacity. As for lead-acid batteries, the charging current should be between 0.1 and 0.2 x C<sub>batt</sub> [Ah] (C10) in order to ensure an optimum charge. For a 65A charger, a battery of at least between 350 and 700Ah is necessary.

The dimensioning of the battery must also take into account the power and the type of charge that are connected, most often an inverter. For this type of charge, the minimum capacity of the battery bank (in Ah) may be calculated this way: five times the inverter rated power divided by the battery voltage. For example, an Xtender XTH 8000-48 inverter/charger should have a battery capacity of a minimum  $7000 \times 5 / 48 = 730$  Ah (C 10). Due to the extreme overload capacity of the inverter, it is often recommended that this value be rounded up. An under-dimensioned battery may lead to an accidental and undesired stopping of the inverter in case of high demand. This stopping is due to an insufficient voltage of the battery subjected to a strong discharge current.

Choose the battery according to the greatest value resulting from the calculation suggested above.



The wiring and connection of the installation must be carried out only by a perfectly qualified personnel. The installation material such as cables, connectors, distribution boxes, fuses, etc., must be appropriate and comply with the laws and regulations in force for the application in question.

### 4.4.2 Precautions when using the batteries

Lead-acid batteries with liquid or gelled electrolyte produce a highly explosive gas during normal use. Avoid source of sparks or fire in the immediate vicinity of the batteries. The batteries must be

kept in a well-ventilated place and installed so as to avoid accidental short-circuits when connecting.

Never try to charge frozen batteries.

When working with batteries, a second person is required in order to give assistance in case of problems.

Sufficient fresh water and soap must be kept close at hand to allow adequate and immediate washing of the skin or eyes affected by accidental contact with the battery acid.

In the event of accidental contact of the eyes with acid, they must be washed carefully with cold water for 15 minutes. Then immediately consult a doctor.

The battery acid can be neutralized among others with yeast in powder. A sufficient quantity of yeast in powder should be available for this purpose.

Particular care is required when working close to the batteries with metal tools. Tools such as screwdrivers, open-ended spanners, etc., may cause short-circuits. Sparks created by short-circuits may cause the battery to explode.

When working with the batteries, all metal jewellery such as rings, watches with a metal bracelet, earrings, etc., must be taken off. The current supplied by the batteries during a short-circuit is sufficiently powerful to melt the metal and cause severe burns.

Always follow carefully the instructions of the battery manufacturer.

If the battery voltage exceeds the value of 17/34/68V, the charger turns off and starts again when the voltage is lower than 16/32/64V.



A battery voltage higher than 20/40/80V can cause an important damage or destroy the equipment. Such a voltage applied on equipment connected downstream like Xtender inverters-chargers or else, can cause an important damage or destroy these equipment!

#### 4.4.3 Connecting the battery

All connection cables as well as the battery cables must be mounted using cable restraints in order to avoid any traction on the connection.

Battery cables must also be as short as possible and the cross-section must comply with the regulations and standards in force. Tighten the clamps on the « Battery » inputs sufficiently.



Each VarioTrack is connected directly to the battery using its own protective device. All other consumers or sources are connected directly to the battery through their own protective device.

Lead batteries are usually available in 2V, 6V or 12V blocks. In most cases, in order to get the correct operating voltage for using the VarioTrack (12, 24 or 48V), several batteries must be connected in series. The capacity of the batteries can be increased using a parallel connection of several battery strings.

Some battery manufacturers limit the use or advice against the battery parallel connection. Strictly conform to the manufacturer's instructions of use.



In multi-unit systems, all the VarioTracks of a same system must be connected to the same battery bank.

#### 4.4.4 Protection device of the battery

The battery cables must also be as short as possible. The recommended cable cross-section is 25mm<sup>2</sup> and the protection devices (battery side) must be of 80A for model **VT-65** and 100A for model **VT-80**. The protection device must be installed the closest possible to the battery. The recommended cross-section is valid for length of max 3m. Beyond this length, it is recommended to oversize the section of the battery cables.

Any other sources or loads existing on the battery must be connected using their own protection devices. Never connect them to the protection device(s) of the VarioTrack.

#### 4.4.4.1 Internal fuse

The VarioTrack has an internal fuse only on the positive terminal of the PV connection. This device protects the equipment against short-circuits on the PV side when the equipment is operating (charging) and against a battery connection error.

A broken internal fuse is a sign of a major fault in the wiring: most probably either a short-circuit on the solar generator side, or a battery reverse connection on the solar input! In such case, check carefully the equipment operation after having corrected the fault. The fuse is composed of 4 fuse links 30A/80V that must be replaced by the same type of fuses, i.e.: Littlefuse - Ref. FKS 166.7000.530 or similar. This operation must be carried out by a qualified personnel. In case of doubt, the equipment must be returned to the supplier for a check (this fault is not covered by the warranty).



An annual check of all the connection tightness is recommended.  
On mobile installations, the connection tightness should be checked more often.



Battery cables must always be protected by one of the following measures:  
Have a protection and disconnection device (fuse, circuit breaker) on each pole or only on the pole not connected to earth.  
The protection device must be rated according to the cable cross-section but must not exceed 1.25 x VarioTrack maximum current. It will be mounted as close as possible to the battery.

## 4.5 MULTI-UNIT CONFIGURATIONS

Several interconnected VarioTracks (See chap. 4.3.7 ) may be used on the same battery to create a high power charger. In multi-unit systems, the units are interconnected (max.15 units) via a communication bus (see chap.4.8) that uses the connectors (7) and a cable (ref. CAB-RJ45-2) that is max 5 metres long. When both connectors (7) are used, the termination selector (8) must be in O (open) position.



In multi-unit systems, the charge is synchronized (up to 15 units) and the battery bank is common. Each VarioTrack will be independently connected to his own solar generator without any connection to the other PV generator connected to other VarioTrack

When they are interconnected by means of the communication cable, the VarioTracks synchronize automatically in order to get a coherent battery cycle.



When the equipment is in the voltage regulation phase, their current may considerably differ. These differences have no effect at all on the charge quality.



During the commissioning of the equipment in a multi-unit configuration, the system checks automatically the compatibility of the software versions and may prevent the operation in case of incompatibility. An upgrade of the installation must then be carried out by means of the RCC-02/-03 remote control using the latest manufacturer's software version (read the user manual for the remote control and programming unit RCC-02/-03 to carry out this operation).

### 4.5.1 Extension of an existing installation

In interconnected installations, if the software is compatible, it is possible to extend an existing installation by adding one or several (up to 15) VarioTracks in parallel. The compatibility of the new units can be checked by Samlex if the serial numbers of the equipment of the existing installation are provided.



Equipment belonging to the same system must be equipped with the same software version. Download the latest software version from the manufacturer's website and update the software for all units of the system before commissioning.



## 4.6 EARTHING GUIDELINES

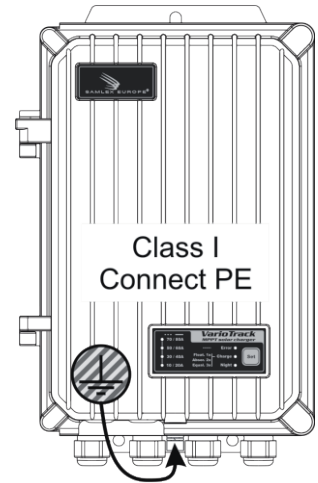
The VarioTrack is a Class I protection equipment, its metal case must be earthed by means of the screw provided between the cable gland.

 = protective earth (connected to the enclosure of the equipment).

Inside the equipment, the negative poles of the battery and of the PV are in common. For security's sake, the VarioTrack requires the negative pole to be earthed. The solar generator (as well as its wiring) must be Class II isolated.

All the other earthing systems (earthing by means of a protection device, impedance, without earthing (IT) or earthed at positive pole) require the whole battery circuit to be protected against electric shocks.

Any accidental contact with the conductive parts of the battery circuit is to be avoided by providing a Class II protection level.



If the no-load voltage of the panel is above 75V (in all the temperature range), the whole solar system must be installed according to class of protection II.

The cross-section of the earthing cable must not be lower than 16mm<sup>2</sup>.

In any case, the protective earth must be connected in accordance with local standards and regulations in force. The protective earth of the equipment must be connected at least to the protective earths of all the Class I equipment after and before the VarioTrack (equipotential connection). The information, notes, recommendations and diagrams reported in this manual are in any case subject to local installation rules. The installer is responsible for the conformity of the installation with the local standards in force.



Never earth the positive pole of the solar generator and the positive pole of the battery within a same installation.



Do not connect the positive pole of the solar generator to the earth otherwise dangerous voltages will surge between the battery poles and the earth. If required by functionality (like with the Sun power PV modules) The positive pole of the solar generator could be earthed thru a 100k $\Omega$ /1W resistance. Then it is mandatory to insure protection against electric shock by mean of battery earthing (Class I) or class II on the whole battery circuit.

### 4.6.1 Detecting an earth fault

Choosing how to earth the DC circuit is an important factor for the individuals' safety. Once made the choice, the VarioTrack can check the continuity or, on the contrary, the failure of the earth connection (in the case of IT system).

In case of failure of this connection, the equipment turns off and the LED (3) lights up indicating the fault. A permanent message (requiring a validation) is displayed on the RCC if present.

The parameter {10060} allows establishing the type of check to be carried out or the absence of check as set by default.

## 4.7 LIGHTNING PROTECTION

The VarioTrack has internal protections against lightning by mean of surge protective devices. These devices have an energy dissipation capacity limited to 3,5kA (8x20  $\mu$ s) which guarantees a certain protection level but are not a total protection against lightning. According to the installation site, it is highly recommended to develop a protection strategy specific to your installation. The strategies depend on various factors specific to each site; we recommend therefore a professional approach to this issue.



Most of the time, damages due to lightning generate significant costs (replacement of all the electronics) which are not covered by the manufacturer's warranty.

## 4.8 CONNECTING THE COMMUNICATION CABLES



The connection compartment of the VarioTrack must remain permanently closed while operating.  
Before opening, check that all voltage sources (battery and PV) have been disconnected or switched off and wait for at least 1 minute before opening the equipment. It is imperative to close the protection cover on the connection terminals after each servicing.

The VarioTrack is fitted with 2 connectors RJ45/8 (7) (see chap. 4.1 «Elements of the cable compartment») that enable to transfer information via a communication bus to other VarioTracks or to other equipment such as RCC or BSP having the proprietary protocol of Samlex (see chap. 8.4.1 ). All the units in the network are connected in series (strings).



The termination switch of the communication bus "Com. Bus" (7) remains in position T (terminated) except when both connectors are used. In this case and only in this case, the switch must be placed in the O (open) position. If one of the two connectors is not used, the termination switch (7) will be in position T.

The max cumulated length of the communication bus is 300m. Due to a line voltage drop, it is recommended to install only one RCC module at the end of a 300m line or a max of 2 modules at the end of a 150m line. All the other modules of the system must be placed within the same radius of a few meters (technical room).



A maximum of 2 RCC-02/-03 or Xcom-232i may be connected to the same communication line with a VarioTrack. For more information, refer to the RCC-02/-03 or Xcom-232i manuals available on our website at the following address: [www.samlex.com](http://www.samlex.com)

The communication bus will be used to interconnect other VarioTrack chargers in the case of a multi-unit application or to connect other types of users who have Samlex's proprietary protocol (Xtender, BSP). In these cases, the installation must be switched off and de-energized in order to interconnect the units on the communication bus.

## 5 POWER-UP OF THE EQUIPMENT



It is imperative that the closing cover for the connection compartment is installed and screwed tight before energizing the installation. There are dangerous voltages inside the cable compartment.

The connection of the VarioTrack must be carried out in the following order. Any disassembly shall be carried out in the reverse order. Before closing the protections and energizing the equipment, check the polarity.

- A. Connecting the battery: on the BAT+ and BAT- terminals
  - Check that the VarioTrack switches on.
  - If there is an RCC-02/-03 during commissioning:
    - check that the battery voltage is displayed correctly
    - check that the type of installation is correctly recognized (12/24/48V)
- B. Connecting the photovoltaic panels: on the PV+ and PV- terminals
  - Check the PV voltage seen on the RCC.

- Check the operation of the charger and the effective charging of the batteries when it is sunny.

Your installation is now in operation. If the system requires specific configurations or settings, carry them out immediately. Settings must be programmed by means of the remote control RCC-02/-03 as per chap. 8.2 or by means of the internal DIP switches as per chap. 8.1.

If the equipment seems to have an incorrect behaviour, the table hereunder shows some wiring errors and the symptoms related to them.

Wiring error	Notification on the VarioTrack	Indication on the RCC-02/-03 remote control	Symptom / Action to be taken, correction to be made
Polarity reversal of the solar generator on its input	LED « Night » (1) lit	No PV voltage displayed on the RCC	Check and correct the wiring error
Polarity reversal of the battery on the battery input	LED « error » (3) flashes 7x	Message 80	Check and correct the wiring error
The battery is connected to the solar input	No indication	If no battery on the input: => Message 80	Check and correct the wiring error
Reverse connection of the battery to the solar input	No indication	The equipment does not switch on. The internal protection fuse is broken and must be replaced by qualified personnel. The wiring must be corrected. The equipment functionalities must be checked.	
The solar generator is connected to the battery input	LED « error » (3) flashes 4 times	Message 20	Acknowledge the message and correct the wiring error
Reverse connection of the solar generator to the battery input	LED « Night » (1) lit	No PV voltage displayed on the RCC	Check and correct the wiring error
The battery is not connected and there is an active solar generator	LED « error » (3) flashes 7 times	Message 80	Acknowledge the message and correct the wiring error
Battery with inactive solar generator, not connected or defective:	LED « error » (3) flashes 6 times	Message 83	The battery has not been charging for more than 48h. Check the protection devices, the wiring of your solar generator or clear the persistent shade (snow)
Voltage of the PV generator too high	LED « error » (3) flashes 5 times	Message 82	Check the PV wiring (see chap. 4.3.2) Caution: A voltage higher than 150V can seriously damage the device



If the VarioTrack has been accidentally connected the wrong way round (battery reverse polarity on the panel input), it is likely that the protection device on the battery cables is open. In such case, recheck carefully the battery polarity, the wiring correctness and the internal fuse of the VarioTrack that protects against this situation. If after having closed or replaced the protection device (f), the VarioTrack still does not work despite the correct polarity and voltage of the battery, it must be brought back to the Seller for repair.

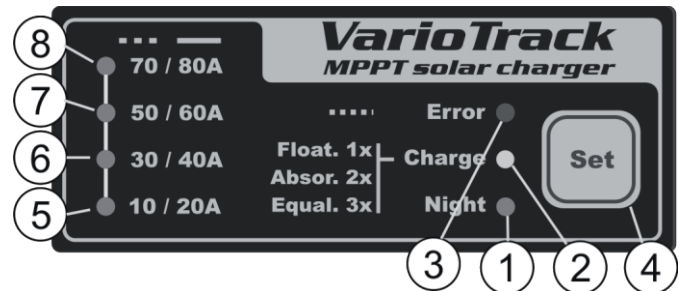
## 6 DISPLAY SYSTEM

The VarioTrack is fitted with a «Set» button and light indicators on the front of the equipment allowing a clear identification of the operating mode.

### 6.1 THE « SET » BUTTON (4)

The push button "SET" can be used to start manually an equalization cycle if this phase is authorized by the initial settings of the equipment. The equalization phase will be authorized as from the beep after having pressed the key «Set» (4) for 2 seconds. The «Charge» light indicator flashes 3x as long as the equalization phase is not completed. The equalization can be interrupted by pressing a second time for 2 seconds: a double beep indicates that the function has been cancelled. The indicator (2) stops flashing 3x confirming the cancellation.

Pressing the «Set» key (4) for 5 seconds turns off the VarioTrack. It starts again by pressing the «Set» key for 5 seconds.



When the VarioTrack(s) are connected to an Xtender system and the synchronization {10037} is activated, the manual equalization can be started only during the battery cycle of the Xtender which will then pilot the VarioTrack to carry out an equalization phase. In «synchronized» mode, the cycle state - floating, absorption, equalization - is not indicated. Only the «charge» LED (2) and the indicator for the amount of charge are used when the equipment is operating.

### 6.2 « NIGHT » STANDBY INDICATOR (1)

This green indicator lights up when the VarioTrack is connected to a battery and ready to operate but there is no PV voltage (at night or when no PV module is connected) or below . This indicator flashes when there is a PV voltage but it is insufficient to charge the batteries (at the beginning or at the end of the day). In order to save the battery power, the VarioTrack charger turns off and goes in standby mode when this indicator lights up or flashes. It will then consume less than 1W. The charger automatically switches on again when sun starts shining and PV voltage goes back above the battery voltage.

### 6.3 « CHARGE » CYCLE INDICATOR (2)

This yellow indicator lights up when the sun is shining and the photovoltaic generator produces enough voltage for charging the batteries. Various flashing modes enable to distinguish in what phase the regulator is. This indicator lights up continuously during the bulk phase. It flashes 1x during the floating phase, 2x during the absorption phase and 3x during the equalization phase.

In «synchronized» mode, the cycle state - floating, absorption, equalization - is not indicated. Only the «charge» LED (2) and the indicator for the amount of charge are used when the equipment is operating.

## 6.4 « ERROR » INDICATOR (3)

The table hereunder describes the type of error according to the number of times this indicator flashes.

Indic.	Indicated error	Comment	No.
Off	No problem	If no indicator lights up, the equipment is de-energized.	01
On	The equipment is OFF	The equipment is energized but it does not operate because of a user command (the "Set" button has been pressed for 5s).	02
Flashes 1x	Battery low voltage warning	The equipment is still operating but shows that the battery is lower than 10/20/40V.	03
Flashes 2x	Earth fault	The VarioTrack detects an abnormal situation which does not correspond to the programmed value of the parameter {10060} checking the state of the earth connection. The VarioTrack turns off. It automatically starts again when the normal situation is restored.	04
Flashes 3x	Power reduction or stop due to an excessive temperature in the equipment.	This may be due to an excessive ambient temperature, exposure of the equipment to a heat source (sun) or to deficient or impeded ventilation.	05
Flashes 4x	Battery voltage higher than 17/34/68V	Check the cause of this excessive voltage. The equipment automatically starts again when voltage returns to a value lower than 17/34/68V.	06
Flashes 5x	The PV voltage is higher than the set value of the max operating limit.	The PV voltage exceeds the max limit of 145V (75V when battery is 12V). The equipment will stop or won't start.	07
Flashes 6x	No voltage has been detected since 48h.	The PV generator is probably disconnected. Check the protection devices (fuse or circuit breaker) and/or check the wiring. Check the internal fuse (5)*	08
Flashes 7x	Battery fault	Missing battery, polarity reversal or voltage lower than 7V.	09
Flashes 8x	Software incompatibility in a multi-inverter system.	The software version of all equipment of the system must be the same. Proceed with the update following the procedure in manual RCC-02/-03.	10
Flashes 9x	Loss of synchronization between the units	Connection error between the equipment. Check the presence and state of the communication cables between the units.	11

\* If the internal fuse is broken, this shows a major error in your wiring: most probably either a short circuit on the generator side, either a reverse connection of the battery on the solar input! In such case, check carefully the operation of the equipment after the error has been corrected. The fuse is composed of 4 fuse links 30A/80V that must be replaced by fuses of exactly the same type, i.e.: ref. Littlefuse: FKS 166.7000.530 or equivalent. This operation must be carried out by qualified personnel. In case of doubt, the equipment must be returned to the supplier for a check (this fault is not covered by the warranty).

## 6.5 INDICATOR FOR THE AMOUNT OF CHARGE (5)-(6)-(7)-(8)

These indicators flash or light up continuously to indicate the current charging range as per the table hereafter.

The RCC-02/03 remote control allows a complete and detailed display of the VarioTrack behaviour (see. chap. 9.1).

Flashing indicator	Indicator number	Lit up indicator
60-70A	LED (8)	70-80A
40-50A	LED (7)	50-60A
20-30A	LED (6)	30-40A
0-10A	LED (5)	10-20A

## 7 BATTERY CHARGING PROCESS

### 7.1 GENERAL POINTS

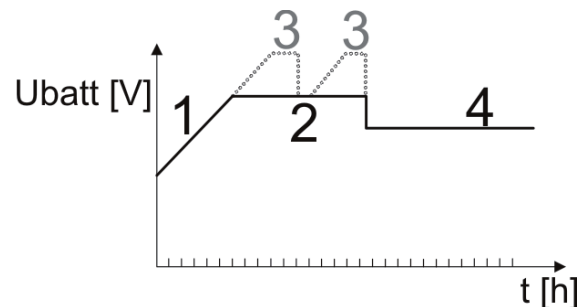
The VarioTrack have many parameters that can be modified by the user or the installer in order to adapt the equipment to the energy system the best possible way. The factory values of these parameters are reported in the table at the end of this manual.

These parameters can be modified by means of the remote control RCC-02/03 (optional) (see chap. 8.4.1 – p.32) and for some of them, a basic configuration can be done using the DIP switches (9) inside the equipment (see chap.8.1)

### 7.2 BATTERY CYCLE

The VarioTrack is a fully automatic solar charge regulator designed to guarantee an optimum charge for most of the lead/liquid acid, lead/gel or AGM batteries. The battery charger enters automatically into operation as soon as the irradiation is sufficient and the photovoltaic panel voltage is higher than the battery voltage. The «Charge» indicator (2) lights up or flashes depending on the ongoing charging phase.

The batteries can be fully charged by the successive phases 1 to 4 described hereunder:



#### 7.2.1 Bulk phase

The bulk phase is the stage when the voltage of the battery rises thanks to the maximum available current produced by the photovoltaic generator depending on the current irradiation. It is limited to a maximum of 65A for model VT-65, or to 80A for model VT-80 (a VT-65 fitted with the external cooling fan ECF-01). The current can also be limited with parameter {10002} « maximum output current ». It is possible that these currents are not reached if the generator power is not sufficient because of its dimensioning, solar power, silicon temperature (crystalline cell), or because the ambient temperature is excessive (or the ventilation is insufficient).

#### 7.2.2 Absorption phase

This charging phase, of a limited duration {10011}, allows the battery to absorb a maximum of power while limiting its voltage {10009}. As soon as this absorption voltage is reached, the duration of the phase is counted down as long as the voltage remains higher than the floating phase {10005}. If the charging current is lower than 4A {10013} whereas the voltage limit is reached, the absorption phase is considered finished. The end of the absorption triggered by the current {10012} can be disabled if necessary.

The absorption phase can be disabled by parameter {10008}. The maximum voltage that can be reached will be the floating voltage {10005}. It is the case when charging a Li-Ion battery.

#### 7.2.3 Floating phase


When the battery is completely charged, a constant reduced voltage {10005} is applied on the battery. This voltage prevents self-discharge and keeps the battery at its maximum charge level and reduces to the minimum the water evaporation that would occur at a higher voltage.

#### 7.2.4 Equalization phase

This phase is allowed {10017} only for open batteries with liquid electrolyte. During this phase, the set voltage limit for the battery is temporarily {10022} higher. It allows on one hand to equalize the electrolyte density through mixing (corrosion control) and on the other hand to equalize the charge among the cells of the battery. During this phase, the charging current can be limited by parameter {10020}.


When authorized, this battery maintenance phase is carried out at fixed intervals {10052} before the absorption phase. This increase in voltage may be applied after the absorption phase by modifying parameter {10019}.


By default, equalization is forbidden because incompatible with gel or AGM type batteries. It may be authorized by parameter {10017}. The equalization can also be authorized depending on the setting of the DIP switch inside of the equipment (see chap.8.1).

 The battery cycle is suitable by default for a large number of batteries, whether gel or not, because the equalization phase is not activated.

When this phase is authorized, it can be started manually by pressing for 2 seconds the « SET » button on the front of the VarioTrack. The countdown for the equalization time starts as soon as the equalization voltage {10021} is reached and lasts as long as the battery voltage is higher than the absorption voltage {10009}.

In this case, it would be appropriate to set an equalization charging current {10020} to a value different (lower) from the bulk current.

 **Caution:** the equalization of open batteries (vented) produces highly explosive gas. The battery room and/or compartment must be adequately ventilated.  
 Be careful: this charging phase may bring the batteries to voltage levels that can damage a sensitive load connected to the battery. Check that the connected loads are compatible with the highest voltage levels possible **taking into account any compensation of the temperature sensor.**  
 A too long or frequent equalization phase can lead to an excessive consumption of electrolyte, a premature ageing or destruction of the battery. Follow scrupulously the instructions and recommendations of your battery supplier.

 **Caution:** incorrect values which do not comply to the manufacturer's instructions can lead to a premature ageing and even the destruction of the batteries.


For more information, contact your battery supplier who will inform you on the values to be applied for his products.

### 7.2.5 Temperature compensation

If a BTS-01 or BSP temperature sensor is used, the voltage adjustment thresholds for the battery are corrected in real time according to the battery temperature.

The value of this correction in mV/°C/cell for a reference temperature of 25°C is set by parameter{10036} to -4mV/°C/cell. For example: for a 24V battery (12 cells of 2V) at a temperature of 30°C, we shall get:  $(30-25) \cdot 12 \cdot (-4/1000) = -0.24V$

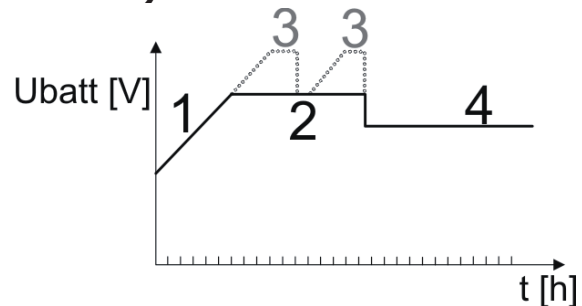
For a floating voltage value {10005} set to 27.2V, the effective floating voltage (compensated) will be 26.96V.

 Before opening the VarioTrack, it is absolutely mandatory to disconnect all DC sources (battery and PV) from the equipment to avoid any danger. Before opening the equipment, let the internal filtering capacitors to discharge.

### 7.3 DEFAULT BATTERY CHARGE CYCLE (ORIGINAL SETTINGS)

The charge cycle set by default does not allow the equalization phase and carries out only phase 1 (bulk), 2 (absorption) and 4 (floating) as per figure hereafter.

These factory parameter values of the VarioTrack are adapted to open lead-acid batteries, with no equalization, with an absorption voltage of 14,4/28,8/57,6V for 2h and a floating voltage of 13,6/27,2/54,4V (equivalent to the « off » position of the DIP switches n° 2, 3 and 4 when the VarioTrack is configured using the internal DIP switch bank).



## 8 CONFIGURING THE VARIOTRACK(S)

The VarioTrack can be configured simply, allowing charge behaviours that meet perfectly the requirements of most lead-acid batteries. This configuration can be carried out using the DIP switches (9) inside of the equipment to set the various configurations according to the position of each DIP switch.



If an Xtender inverter/charger is interconnected (communication) to a VarioTrack, the Xtender battery cycle will be imposed to the VarioTrack of the system. This function may be disabled by parameter {10037}. If no Xtender is connected to the VarioTrack, the latter uses its own setting.

It is also possible to make configurations specific to particular requirements of the system thanks to the remote control RCC-02/03 described in the following chapter.

### 8.1 CONFIGURING THE EQUIPMENT BY MEANS OF THE INTERNAL DIP SWITCHES

**The DIP switch no.1** (first on the left) allows activating the settings defined by the DIP switch bank. This activation will not be taken into account if the parameter {10054} does not allow it. When the settings defined by the DIP switch bank are not activated, the default parameters (see list p. 40) are applied. These parameters can be modified by means of the remote control RCC-02/-03.



If the default parameters (factory parameters) are modified, the new values must be reported in the parameter table p.40 at the end of the manual which must remain on the installation site at the disposal of the maintenance personnel.

When the VarioTrack is connected to other VarioTracks via the communication bus, the settings of the DIP switches must be the same for all the interconnected VarioTracks. The charge cycle is automatically synchronized and will be equivalent on all units.

When the VarioTrack is connected to Xtender inverter(s), the battery cycle is automatically synchronized with the cycle and the values chosen by the Xtender. This synchronization is disabled by parameter {10037}.

Pos. no. 1	Function
OFF	DIP switches not taken into account (default parameter) or set by the remote control RCC-02/03
ON	DIP switches taken into account or synchronized by the Xtender if activated {10037} and allowed {10054}

**DIP switches no. 2, 3 and 4** allow the battery cycle to be modified as per table hereunder in order to adapt it to the various types of most common lead-acid batteries. The following values are for a 48V system and must be divided by 2 or 4 in the 24V and 12V applications respectively.

Pos. no.			Battery type	Floating voltage	Absorption voltage/period	Equalization (30min)
2	3	4				
OFF	OFF	OFF	Open	54.4V	57.6V / 2h	No
ON	OFF	OFF	Sealed w/short abs.	54.4V	57.6V / 1h	No
OFF	ON	OFF	GEL	55.2V	56.8 / 2h	No
ON	ON	OFF	AGM	53.6V	57.2V / 2h	No
OFF	OFF	ON	Sealed w/o abs.	54.4V	No	No
ON	OFF	ON	Open + equalization	54.4V	57.6V / 2h	63.2 V - 1/ 20 days + manual
OFF	ON	ON	Open + equalization	54.4V	57.6V / 2h	63.2 V + manual
ON	ON	ON	Open - reduced voltage	53.6V	57.2V /2h	63.2 V - 1/ 20 days + manual

DIP switches no. 5 and 6 do not have a dedicated functionality (spare)

DIP switches no. 7 and 8 allow setting the battery voltage.




The automatic mode measures the battery voltage upon connection of the equipment and sets the system rated voltage:

- If  $V_{batt} < 17V$  → 12V system
- If  $17V < V_{batt} < 34V$  → 24V system
- If  $34V < V_{batt}$  → 48V system

Pos.no. 7	Pos. no. 8	Battery voltage
OFF	OFF	Automatic selection
OFF	ON	12V
ON	OFF	24V
ON	ON	48V

This automatic detection is correct in most cases. But the connection of a very discharged battery may lead to an error in the automatic voltage selection. For example, the connection of a highly discharged 24V (16V) battery will select automatically a voltage of 12V which prevents to recharge the battery. This is the reason why it is advisable to set manually the system voltage either using the DIP switches (see table above), either using the RCC remote control.

Settings defined by the position of the DIP switches may be inhibited (disabled) with parameter {10054} using the remote control RCC-02/03. The VarioTrack operation will then be defined only by the parameter values set by default or by the RCC remote control.



When several VarioTracks interconnected (communication) to the same battery are used, differences in production (power) are normal, especially in the following cases:  
 The units are in voltage regulation phase (absorption, equalization, floating), and in this case the current distribution may be very uneven. This situation is normal and has no influence on the system efficiency.  
 The equipment are in a bulk phase, in this case the difference is due to the difference in size, orientation, cleanness, shade or any other situation that may influence the production capacity of the solar generator. This situation may require the generator to be checked in order to clear/remedy the possible fault.


## 8.2 CONFIGURING THE VARIOTRACK USING THE REMOTE CONTROL RCC-02/03

Many parameters are stored in the VarioTrack internal memory. When a parameter is modified using the remote control RCC-02/03 (hereafter referred to as RCC), it is sent to the VarioTrack and stored permanently.

If the RCC is removed from the system, this parameter continues to be used by the VarioTrack with this modified value. If the VarioTrack is de-energized and then energized again, the new value can be retrieved from the memory. This allows for example to pre-program a VarioTrack at the workshop and to supply it to a customer, ready for his specific application.

If the settings made using the DIP switches are disabled, either because the Pos 1=off or because the parameter disabling the DIP switches {10054} = yes, the VarioTrack uses its stored values. The factory parameter values of the equipment are equivalent to the values set when all the DIP switches are in « OFF » position, i.e. adapted to an open battery, without equalization, with an absorption voltage of 214,4/28,8/57,6V during 2h and a floating voltage of 13,6/27,2/54,4V.

The parameter values can be modified using the RCC and are stored and applied by the VarioTrack.



When parameter {10054} is set to « yes », the DIP switches remain disabled even when the remote control and the communication module are removed after the settings have been entered. This allows to establish the operation of the installation and to prevent any further modification using the DIP switches.

### 8.2.1 The real time clock

The VarioTrack features a real time clock that allows among others to have a correct date and hour for the RCC records. This clock must be set using the remote control RCC-02/-03. Thanks to an internal battery, this setting is retained even when the equipment is disconnected from its voltage source (battery or PV).

## 8.3 DESCRIPTION OF THE VARIOTRACK PARAMETERS

The parameters of the VarioTrack can be modified in the menu « VarioTrack MPPT setting » of the RCC remote control.

This menu allows accessing the following 3 under-menus:

**BASIC MENU:** where the most common parameters to be set when commissioning are found.

**BATTERY MANAGEMENT AND CYCLE:** where all the parameters can be set, defining in detail the

battery cycle during all its phases.

**SYSTEM MENU:** gathering a few parameters that are not directly related to the battery cycle, such as backing up and restoring the system, resetting, monitoring setting, etc.

### 8.3.1 Convention

Functions and values of the parameters mentioned in this manual are described in this chapter. Each parameter is defined by a short description, a number {xxxxx} followed by its value and unit by default (xxxxx). The type of parameter (menu, signal) replaces the value between brackets when this latter does not exist. The RCC menus are also identified by a name and a number {xxxxx} that can be found, as per the parameter number, on the top right-hand corner of the RCC screen.

### 8.3.2 Parameter access level

All the parameters described hereafter are accessible through 2 different access levels. In factory configuration, only a few of them are accessible through the « basic menu ». To access all the other menus and parameters, the RCC must be configured at the « Expert » level following the procedure given in the RCC manual, chapter « USER LEVEL » (p. 22).

Each parameter can be placed at a different level (for example, from level « Expert » to level « Basic »). In this case, the parameter is accessible also when the RCC is set to basic mode. For more information on this subject, refer to chapter « INSTALLER, LEVEL OF USE AND ACCESSIBILITY » p.39 in the RCC manual.

### 8.3.3 Organisation of the configuration menu

Level	User ref.	Parameter
<b>MENU</b>	<b>10000</b>	<b>BASIC SETTINGS</b> (see chap.8.3.4)
Basic	10001	Voltage of the system
Basic	10037	Synchronisation battery cycle with Xtender
Basic	10005	Floating voltage
Basic	10009	Absorption voltage
Basic	10017	Equalization allowed
Basic	10021	Equalization voltage
Basic	10056	Restore default settings
<b>MENU</b>	<b>10003</b>	<b>BATTERY MANAGEMENT AND CYCLE</b> (see Chap.8.3.5)
Basic	10037	Synchronisation battery cycle with Xtender
Expert	10002	Battery charge current
Expert	10036	Temperature compensation
<b>Menu</b>	<b>10004</b>	<b>Floating phase</b>
Basic	10005	Floating voltage
Expert	10006	Force phase of floating
<b>Menu</b>	<b>10007</b>	<b>Absorption phase</b>
Expert	10008	Absorption phase allowed
Basic	10009	Absorption voltage
Expert	10010	Force absorption phase
Expert	10011	Absorption duration
Expert	10012	End of absorption triggered by the current
Expert	10013	Current threshold to end absorption phase
<b>Menu</b>	<b>10016</b>	<b>Equalization phase</b>
Basic	10017	Equalization allowed
Expert	10018	Force equalization
Basic	10021	Equalization voltage
Expert	10020	Equalization current
Expert	10022	Equalization duration
Expert	10052	Equalization with fixed interval
Expert	10025	Days between equalizations
Expert	10026	End of equalization triggered by the current
Expert	10027	Current threshold to end equalization phase
Expert	10019	Equalization before absorption phase
<b>Menu</b>	<b>10028</b>	<b>New cycle</b>
Expert	10029	Force a new cycle
Expert	10030	Voltage level 1 to start a new cycle
Expert	10031	Time period under voltage level 1 to start a new cycle
Expert	10032	Voltage level 2 to start a new cycle
Expert	10033	Time period under voltage level 2 to start a new cycle

Expert	10034	Cycling restricted
Expert	10035	Minimal delay between cycles
<b>MENU</b>	<b>10038</b>	<b>SYSTEM</b> (see chap.8.3.9)
Expert	10054	Block manual programming (dip-switch)
Expert	10060	Check Earthing
Basic	10056	Restore default settings
Expert	10039	ON of the VarioTrack
Expert	10040	OFF of the VarioTrack
Expert	10051	Reset of all VarioTrack

### 8.3.4 Basic menu {10000}(menu)

#### 8.3.4.1 System voltage {\*10001} (Automatic)

The VarioTrack can recognize the battery automatically. When powered up (battery side), it measures the existing voltage and detects whether it is a 12V, 24V or 48V battery.

The VarioTrack can be forced to operate with a certain voltage thanks to parameter {10001}. When the battery voltage is clearly known, it might be useful to set the battery voltage (12V, 24V or 48V). This may avoid a possible confusion when connecting an extremely discharged battery and may allow to recover such a battery.

#### 8.3.4.2 Synchronization of a battery cycle with an Xtender {\*10037} (yes)

When an inverter of the range Xtender is used in the system, it can transfer to the VarioTrack its battery charge setting so that they can operate together in an optimum way.

Synchronization allows a coherent operation of multiple units which participate to the battery charging and avoids multiple successive equalizations triggered by each charger.

#### 8.3.4.3 Battery floating voltage {\*10005} (13.6V/27.2V/54.4V)

Determines the voltage applied when the battery is fully charged. This voltage prevents self-discharge and keeps the battery to its optimum charge level.

#### 8.3.4.4 Absorption voltage {\*10009} (14.4V/28.8V/57.6V)

Determines the battery voltage during the absorption phase. See chap. 7.2

#### 8.3.4.5 Equalization authorized {\*10017} (no)

Determines whether the equalization phase (triggered manually or automatically) is allowed or not.

#### 8.3.4.6 Equalization voltage {\*10021} (15.6V/31.2V/62.4V)

Determines the battery voltage during the equalization phase.

#### 8.3.4.7 Restoring the default parameters {10056} (signal)

Sending this signal restores the original values of the VarioTrack parameters.



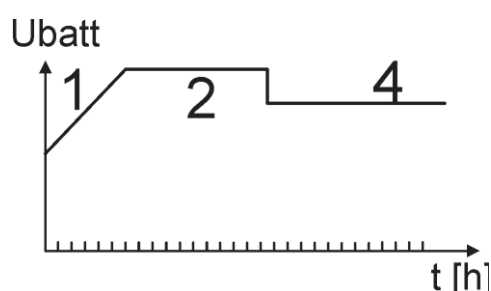
If the installer has made some adjustments during the commissioning of the installation, this function does not restore the factory settings but those made by the installer.

### 8.3.5 Management and battery cycle {10003} (menu)

The VarioTrack battery charger is designed to ensure a battery charge as complete as possible. The charge process, described in detail in chapter 7.2, is managed in 4 successive phases of which only 3 are activated by default. Thus the VarioTrack will carry out only phases 1 (bulk), 2 (absorption) and 4 (floating) according to a charge profile as per figure hereafter which represents the basic cycle. This one takes place automatically.

The charge curve obtained this way depends on a whole series of parameters that may be freely modified in order to get a charge profile that meets at best the requirements set by the manufacturer or the user.

If the BTS-01 temperature sensor is used, the voltage regulation thresholds of the battery are corrected in real time according to the battery temperature. The value of this correction in mV/°C/cell for a reference temperature of 25°C is set by parameter {10036} to -3mV/°C/cell. For example, at 30°C for a 24V battery having thus 12 cells of 2V:  $(30-25)*12*(-4/1000)=-0.24V$ , a floating set to 27.2V is compensated to a value of 26.96V.





The battery setting is carried out under the responsibility of the operator. An incorrect setting that does not meet the battery charging methods recommended by the manufacturer may be dangerous and/or considerably reduce the battery service life. If the factory settings are modified, the new values must be entered in the parameter table at the end of this manual.

### 8.3.5.1 Synchronization of a battery cycle with an Xtender {10037} (yes)

This parameter appears on the basic menu and is described in chap. 8.3.4.2 au-dessus



When this parameter {10037} is activated, all other parameter involved in the battery cycle are hidden and not accessible. In this case, only the maximum charging current is adjustable.



If an Xtender inverter/charger is interconnected (communication) to a VarioTrack, the Xtender battery cycle will be imposed to the VarioTrack of the system. This function may be disabled by parameter {10037}. If no Xtender is connected to the VarioTrack, the latter uses its own setting.

## 8.3.6 Floating phase {10004} (menu)

### 8.3.6.1 Floating voltage {10005} (13.6V/27.2V/54.4V)

Determines the voltage applied when the battery is fully charged. This voltage prevents self-discharge and keeps the battery to its optimum charge level.

### 8.3.6.2 Force floating phase {10006} (signal)

This parameter may be used to force a battery cycle in progress to assume the final values of the floating voltage phase. If the battery voltage level is higher, the charger momentarily switches out until the new target voltage is reached.

## 8.3.7 Absorption phase {10007} (menu)

During this phase, the battery accumulates the last percentages of power to be stored. This phase takes place at a constant voltage.

### 8.3.7.1 Absorption phase allowed {10008} (yes)

This parameter determines whether the absorption phase is carried out or not. When this phase is disabled, the charger goes directly to the following authorized phase (equalization, but most often a floating phase).

### 8.3.7.2 Absorption voltage {10009}(14.4V/28.8V/57.6V)

Define the applied voltage during absorption phase.

### 8.3.7.3 Force absorption phase {10010} (signal)

This signal starts again an absorption phase from the floating phase.

The charge indicator (2) flashes 2x indicating that the equalization phase is on-going.

### 8.3.7.4 Absorption duration {10011} (120min)

Use this parameter to set the absorption duration. The absorption phase starts once the set tension {10009} is reached. When time is over (see chap.7.2.2), the charger goes automatically to the following authorized phase.

### 8.3.7.5 End of the absorption triggered by the current {10012} (no)

The absorption phase can be interrupted when the battery charging current goes under a certain threshold. This can be used in order to shorten the period under which a high voltage is applied and thus reduce water consumption.

### 8.3.7.6 Current threshold to end absorption phase {10013} (10A)

Sets the current under which the absorption phase is considered finished. When the charger current goes below this value, the next phase (most often the floating phase) starts. If the production of the

PV generator is insufficient to keep the voltage, this current is not taken into account and the absorption phase goes on.



Progressively, during the absorption phase, the charging current decreases naturally. If the bulk phase has been carried out with a current appropriate for the battery, it is not necessary to wait for a certain period to finish charging.

### 8.3.8 Equalization phase {10016} (menu)

Some types of battery need equalization in order to avoid the stratification of the water and acid they contain. Use the parameters hereafter to set the operating conditions of this charging phase as described in chap. 7.2.4.



During an equalization phase, an emission of a highly explosive gas occurs (hydrogen/oxygen). Follow carefully all the instructions of the battery manufacturer regarding this phase. In any case, make sure that the battery room is adequately ventilated. Equalization reduces the battery water level: check it regularly.

#### 8.3.8.1 Equalization authorized {10017} (no)

Determines whether the equalization phase (triggered manually or automatically) is allowed or not.

#### 8.3.8.2 Forcing an equalization {10018} (signal)

Use this parameter to start manually the equalization phase. It is possible to force an equalization phase only when it is authorized by {10017}.



Once equalization phase is initiated, disabling the phase does not stop the equalization. To stop the equalization, forcing the transition into floating {10006}, forcing the absorption {10010} or forcing a new cycle {10029}. It is also possible to interrupt the equalization by pressing the « SET » button for more than 2 seconds (procedure described in chap. 6.1).

#### 8.3.8.3 Battery equalization voltage {10021} (2.6V/element) (15.6V/31.2V/62.4V)

Determines the maximal voltage during the equalization phase.



This voltage is corrected by the temperature correction factor  $\{\{10036\}$  if a temperature sensor BTS-01 is installed in the system.

#### 8.3.8.4 Battery equalization current {10020} (80A)

The equalization phase can be carried out with a limited current that can be adjusted using this parameter. In any case, the current does not exceed the bulk current {10002}. As a rule, the limited charging current is used only if the equalization is started at the end of the absorption phase.

#### 8.3.8.5 Equalization period {10022} (30min)

Determines the equalization period. The equalization phase starts as soon as the set voltage {10021} is reached. When the period has elapsed, the charger goes automatically to the following authorized phase. If the voltage cannot be kept (no sunshine, clouds ...), the countdown is interrupted.

#### 8.3.8.6 Equalization at a fixed interval {10024} (yes)

When this parameter is activated (yes), the battery charge cycle with an active equalization phase starts at the interval specified by the following parameter {10025}.

#### 8.3.8.7 Days between the equalizations {10025} (26 days)

Determines the number of days between each equalization. This counter is reset to zero when the equalization is activated manually.



In the case of incomplete charging cycles (for example when charging with solar generators), this function is useful also to limit the repetition of the equalization cycles.

### 8.3.8.8 End of the equalization triggered by the current {10026} (no)

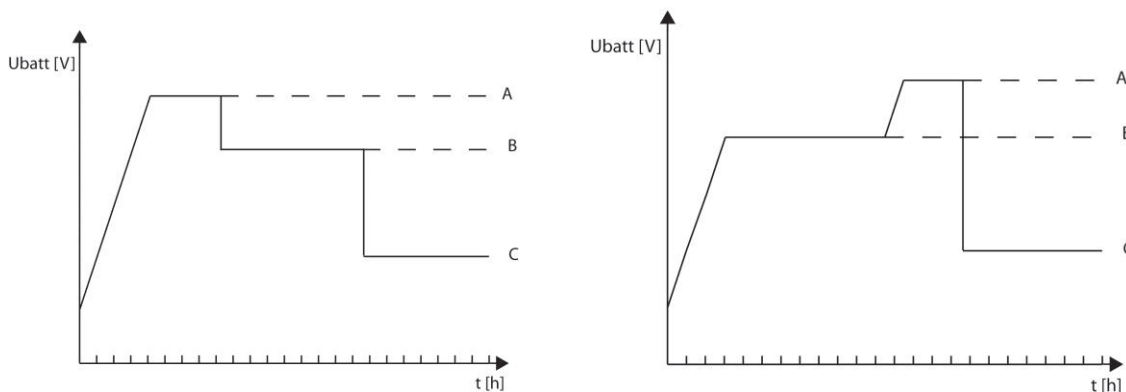
Progressively, during the equalization phase, the charging current decreases naturally. If the bulk phase has been carried out with a current appropriate for the battery, it is not necessary to wait for a certain period to finish charging. The equalization phase can be interrupted when the battery charging current goes under a certain threshold. This can be used in order to reduce the equalization duration and the electrolysis phenomenon related to it.

### 8.3.8.9 Final current of the equalization phase {10027} (no)

Determines the current under which the equalization phase is considered finished. When the charger current goes below this value, the next phase starts.

### 8.3.8.10 Equalization before absorption phase {10019} (yes)

This parameter determines if during the charge cycle the equalization will take place before or after the absorption phase. By default, the equalization phase is carried out before the absorption phase.



A= equalization voltage, B= absorption voltage, C= floating voltage

## 8.3.9 New cycle {10028}(Menu)

Usually, batteries are charged during the day via the PV generator then partially discharged during the night by the user. The next day, a charge cycle starts again (bulk-absorption-floating). The conditions to restart a full cycle are met when the battery has lost some of its power because of the users who are connected to it. These conditions are set by parameters from {10030} to {10033}. If these conditions have not been met because, for example, the installation has no users, a new absorption phase will not be necessary as this would lead to a slight battery water consumption. In this case, the charge cycle is kept in floating phase.

### 8.3.9.1 Forcing a new cycle {10029} (signal)

This signal enables to force manually a complete charge cycle. The VarioTrack switches immediately to the bulk phase.

### 8.3.9.2 Conditions for a new cycle

A new battery cycle will be triggered if one or the other 2 conditions -defined by a period of time during which the battery voltage is lower than a threshold- is met.

These 2 voltages related to 2 durations are configurable. Usually a higher voltage is used for a longer duration and a lower voltage for a shorter duration.

Voltage 1 for a new cycle {10030} (2.03V/element)

Undervoltage duration 1 for a new cycle {10031} (30min.)

**Voltage 1 for a new cycle {10030}(12.2V/24.4V/48.8V)**

**Duration under voltage 1 for a new cycle {10033} (5sec.)**

**Voltage 2 for a new cycle {10032}(11.8V/23.6V/47.2V)**

**Duration under voltage 2 for a new cycle {10033} (5sec.)**

The battery voltage under which a new cycle is started can be specified. The battery voltage must remain under this threshold during a period of time that must be established as well.

### 8.3.9.3 Maximum limit of the cycle repetition {10034} (Yes)

The repetition of the charge cycles can be limited establishing the minimum time between each cycle using parameter {10035}.

### 8.3.9.4 Minimum interval between cycles {10035} (1h)

Determines the minimum interval (time) between each cycle when parameter {10034} activates this function.



If this function {10034} is activated and the interval parameter {10035} is set to 24h, there will be only one charge cycle per day. In this case, if the conditions are met for a new cycle, it will not take place and the charger will keep the battery at floating voltage.

### 8.3.9.5 Correction coefficient for battery temperature {10045} (-3mV/°C/cell)

If a battery temperature sensor (BTS-01) is used in the system, the charging voltages are automatically adapted to the battery temperature. The compensation is given in millivolts per degree Celsius (°C) and per battery cell. For example, at 30°C for a 24V battery having thus 12 cells of 2V:  $(30-25) \times 12 \times (-4/1000) = -0.24V$ , a floating set to 27.2V is compensated to a value of 26.96V.

### 8.3.9.6 Battery charging current {10002} (65/80A depending on model)

The VarioTrack tries to maximize the battery charging current up to its rated current; however, it is possible to limit this current using this parameter for small capacity batteries. The current appropriate to the battery is reported in its technical data. The value set by this parameter is used during the whole bulk phase.



If no information on the charging current is available, the most frequently used value is of one fifth of the battery capacity. Ex. for 500Ah:  $500/5 = 100A$ .  
Caution: if your batteries are in series, to calculate the capacity, only one has to be taken into account and not the sum. If the battery bank is composed of several strings, to calculate the capacity, the sum of the capacities of a battery of each string has to be taken into account.

## 8.3.10 System {10038} (menu)

### 8.3.10.1 Inhibiting the configuration made by DIP switches {10054} (no)

Enables to cancel the operating mode chosen by means of the DIP switches inside the VarioTrack.



If Parameter {10054} is set to "yes", the DIP switches will remain disabled even if the RCC is removed after configuration. This secures the configuration of the facility and to prohibit any subsequent changes with the DIP Switches.

### 8.3.10.2 Checking the earthing {10060} (no control)

When the battery negative pole is earthed as per recommendations in chap. 4.6, this connection can be checked by the VarioTrack continuously. Would this connection be faulty, the equipment turns off immediately and a fault is displayed (see chap. 6.4) or notified by an alarm message on the RCC (see chap. 8.4.4.1). The various earth connection types that can be checked are the following:

No check (default value).

The negative pole of the battery is earthed.

The positive pole of the battery is earthed.

Floating battery (with no earthed poles).

### 8.3.10.3 Restore default setting {10056}(signal)

This signal will restore the initial parameters of the VarioTrack.



If the installer made specific setting at commissioning, this function will restore these settings instead of the factory settings.

## 8.4 DISPLAYING THE EQUIPMENT STATUS USING THE REMOTE CONTROL RCC-02/-03

### 8.4.1 Displaying the status of a simple unit system

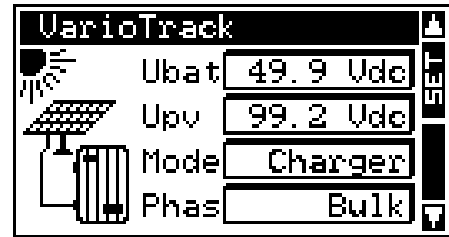
The VarioTrack screen allows displaying in real time 4 values to be chosen among many measured or calculated values reported in the table hereunder.

The SET key allows entering the first field that appears in reverse video.

To modify the field content, use the SET key; then using the arrows, consult the various displayable values and select them as permanently displayable values in the related field by validating with the SET key.

When no other value than the one initially displayed in the field is selected, ESC key validates the initial choice.

The 4 fields can be successively scrolled and modified any time in order to display the values of 4 pieces of information chosen from the table hereunder.



Info no.	Name	Unit	Description
11000	Ubat	Vdc	Battery voltage
11001	Ibat	Adc	Battery current
11002	Upv	Vdc	Voltage of the PV generator
11004	Psol	W	Power of the PV generator
11005	Tbat	°C	Battery temperature (when sensor available)
11006	Cd	Ah	Production in (Ah) for the current day
11007	Ed	kWh	Production in (Wh) for the current day
11010	Cdj-1	Ah	Production in (Ah) for the previous day
11011	Ed-1	kWh	Production in (Wh) for the previous day
11015	Type	VT-xx	Model of VarioTrack (VT65 or VT-80)
11016	Mode	text	Operating mode (Night, Start-Up, Charger, Security, OFF). See chap. 8.4.2
11017	PVmx	Vdc	Max PV voltage for the current day
11018	Ibmx	Adc	Max battery current for the current day
11019	PVxP	Vdc	Max power production for the current day
11020	Bmax	Vdc	Max battery voltage for the current day
11021	Bmin	Vdc	Min battery voltage for the current day
11025	Sd	h	Number of irradiation hours for the current day
11026	Sd-1	h	Number of irradiation hours for the previous day
11034	Err	Text	GroundFD ; Ovtemp; OverVbat; OverVpv; NoBatt;Other.
11037	EqIn	Days	Equalization scheduled in ... (time)
11038	phas	Text	Battery cycle phase (Bulk, Absorption, Equalization, Floating, XT slave, MPPT slave)

### 8.4.2 Displaying the operating mode of the equipment

**Charger:** the charger operates normally at the maximum power point of the solar generator or in voltage regulation.

**Night:** the solar generator voltage (or luminous intensity) is not enough to start the equipment. When this indication appears during the day, it means a generator fault (wiring).

**Startup:** the solar generator (or luminous intensity) is not enough to start the equipment but sufficient to produce power. This indication appears only in the morning or in the evening.

**Security:** the equipment turns off due to a fault normally indicated by a message on the RCC or by the « error » indicator (3) on the equipment.

**Off:** the equipment is manually turned off by the operator or using a remote control.

### 8.4.3 Fault visualization (Info n°11034)

Lorsqu'une erreur de sécurité est signalée, l'appareil s'arrête. Un texte raccourci, limité à 8 caractères, apparaît pour les erreurs suivantes :

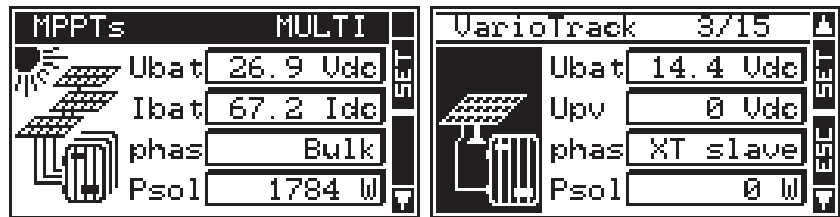
Text	Description
None	No error. The unit is fully functional
GroundFD	A ground fault is detected depending on to the configuration chap. 4.6.1 (Alarm 81)
Ovtemp	An abnormal high temperature is detected (Alarm 014).



Text	Description
OverVba	The battery voltage is over 68V (Alarm 020).
OverVpv	There is a PV voltage over 75V in a 12V system or over 145V in others. (Alarm 82).
NoBatt	No Battery or battery below 7V or battery polarity reversed. (Alarm 80)
Other	System error

#### 8.4.4 Displaying the values of a multi unit system

When several VarioTracks are connected to the remote control RCC-02/-03, the screen hereafter appears, displaying the consolidated values for all the connected equipment. The displayed values can be selected as per the same procedure described in chap.8.4.1. Moreover, the units can be viewed one by one by using the arrows up/down after the SET key (2x) when the cursor in reverse video is pointing to the field « MULTI ».



#### 8.4.5 Displaying messages and event history

The message system is the same as for an Xtender inverter and the alarm messages/information are stored and displayed in the "Event history" window. See user manual for the RCC, p.30.

##### 8.4.5.1 Message list

**Alarm (000): low battery voltage:** the battery voltage is lower than 1.66V/element. The VarioTrack continues to operate.

**Message (012): management of the BTS (temperature sensor):** this indication is given only if the sensor is connected to the VarioTrack when it is energized.

**Switch off (014): EL Over-temperature:** the warmest point inside the equipment has exceeded 85°C. The equipment stops operating. It starts again when the temperature drops back to a normal value.

**Error (016): cooling error:** this indication is given only if the equipment is operating when the external cooling unit has been removed or when the connection has been interrupted for an unspecified cause.

**Switch off (020): battery overvoltage:** the battery voltage is higher than 2.83V/element. The VarioTrack turns off. It starts again when the voltage returns to a normal value.

**Error (80): no battery (or polarity reversal):** the battery voltage is lower than 7 V. This can be due to the absence of the battery, a highly discharged battery or a polarity reversal.

**Alarm (81): PV earthing fault:** the battery earthing does not (anymore) match the selection made by parameter {10060} which establishes the type of earthing to be checked.

**Alarm (82): PV overvoltage:** the solar generator has a voltage higher than 145V when connected to a 24 or 48V battery.



Caution: in a 12V system, the max permissible voltage for a PV generator is 80V. When a higher voltage is applied, the VarioTrack switches off and the supply to the accessories connected to the communication bus is interrupted.

**Message (83): no solar production for 48h:** no PV voltage has been detected for 48H. The PV generator has probably been disconnected. Check the protection devices (fuse or circuit breaker) and/or check the wiring.

**Message (84): equalization carried out:** indicates the end of the equalization cycle.

## 9 ACCESSORIES

### 9.1 REMOTE CONTROL AND PROGRAMMING UNIT RCC-02/-03

This accessory is an important complement to the VarioTrack. It can be connected via one of the two communication connectors "Com. Bus" (7) (see chap. 4.1 "Elements of the cable compartment") thanks to the cable supplied with the remote control.



These connectors must be used only to connect a compatible Xtender accessory, **excluding any other type of connection such as LAN, Ethernet, ISDN, etc.**

The remote control and programming unit RCC-02/-03 is compatible with the following equipment:

**Variotrack** solar charge controller MPPT

**Xtender** inverters/chargers

When it is connected to at least one of these two devices, it also allows interacting with the other peripherals of an Xtender system, i.e.:

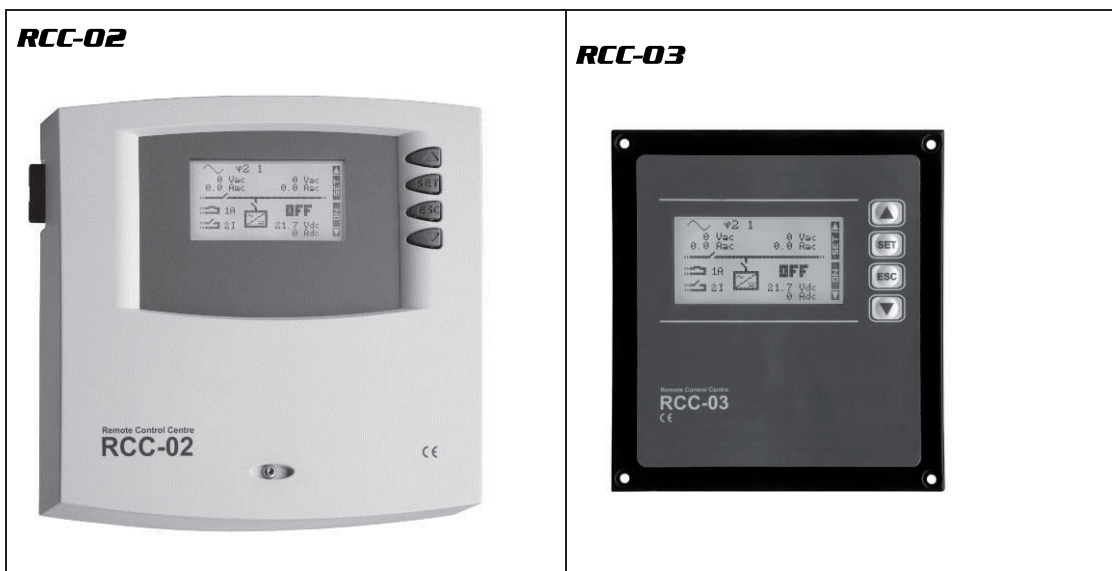
Battery measuring system **BSP-500/BS-1200**

RS 232 communication interface: **Xcom-232i**

TRISTAR communication interface: **Xcom-M5**

It allows the following functionalities for all the connected and compatible equipment:

- Setting the various operating parameters for the connected equipment.
- Displaying the operating synoptic for each piece of equipment.
- Displaying several operating quantities measured or calculated (Current/Voltage/Power, etc.) for each apparatus.
- Updating the software or implementing tailored software.
- Backing up/restoring system parameters (configuration).
- Loading a parameter file (configuration).
- Storing error message history for each equipment.
- Recording VarioTrack(s) data and other information essential for the system (see chapter « Data recorder » p. 23 in the RCC manual).



Functionalities of the RCC-02 and RCC-03 units are equivalent. They differ only in their external aspect. The RCC-02 is designed for wall mounting whereas the RCC-03 is designed for board mounting.

Model RCC-03 must be removed from the board to access the SD card slot (during updating, for example).

Ref. no./dimensions H x L x l [mm]:

RCC-02 / 170 x 168 x 43.5mm

RCC-03 / 130 x 120 x 42.2mm

**i** Both remote control models are supplied with a 2m cable. Cables of specific lengths (5m, 20m and 50m) can be ordered. Item reference: CAB-RJ45-8-xx. The length in metres is specified by xx.

2 (or max 3 within the same system) remote controls RCC-02/-03 or Xcom-232 can be connected in series to the communication bus of a same VarioTrack.

In a system composed of a single VarioTrack, the connection of the RCC-02 or RCC-03 may be done without stopping the equipment (hot plug). When connecting an RCC-02/-03 remote control in a multi-unit system, all the units in the system must be turned off and the termination of the communication bus where the connection is being made must be modified.

**!** The termination switch of the communication bus "Com. Bus" (8) remains in position T (terminated) except when both connectors (7) are used. In this case and only in this case, the switch must be placed in the O (open) position (towards element (9)). If only one of the two connectors is used, the termination switch (8) will be in position T.

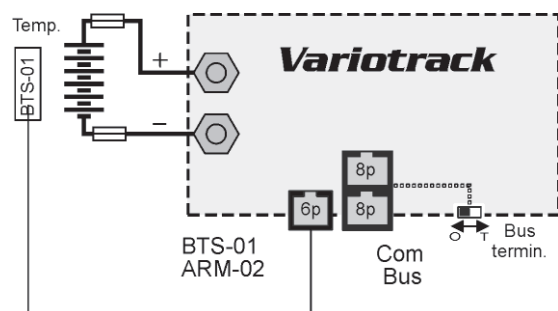
## 9.2 TEMPERATURE SENSOR BTS-01

The operating voltages for lead batteries vary depending on the temperature. A temperature sensor is optionally available to correct the battery voltage and guarantee an optimum charge for whatever battery temperature. The correction factor given by the temperature sensor is set by parameter {10036}. Reference no. for the temperature sensor (including a 3m cable): BTS-01. Dimensions: H x L x l / / 58 x 51.5 x 22mm.



### 9.2.1 Connecting the temperature sensor (BTS-01)

The optional temperature sensor BTS-01 is supplied with a 3m cable fitted with RJ11/6-type plugs. It may be connected or disconnected at any time (even when the device is operating) using the corresponding socket (6) marked "Temp. Sens." on the VarioTrack. Plug the connector into the socket (6) until it clicks in. The temperature sensor case may simply be stuck onto the battery or directly next to it. The temperature sensor is automatically recognised and the correction applied immediately. If a BSP battery probe next to the battery is used, a BTS-01 is not necessary. The BSP module is fitted with a temperature sensor. If both elements (BTS-01 and BSP) are present, only the BTS-01 is taken into account to correct the temperatures.

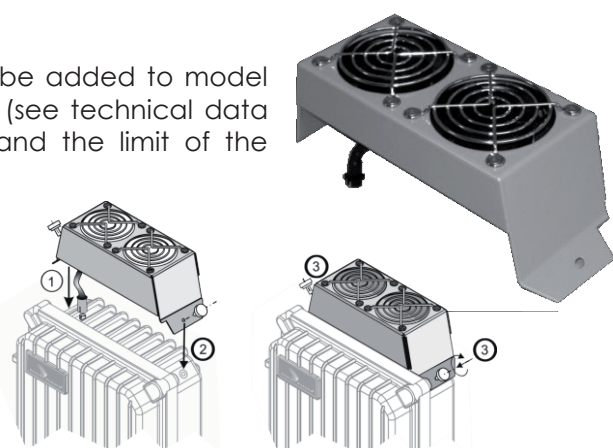


## 9.3 EXTERNAL COOLING FAN ECF-01

The cooling fan ECF-01 is an accessory that can be added to model VT-65; this will give it the features of model VT-80 (see technical data p.41). This accessory is automatically detected and the limit of the charging current is 80A when installed.

This fan has a degree of protection IP54 and can be exposed to water spray without damage. However, do not expose it to dirty water splashes in order to prevent mud or similar particles from blocking the mechanism.

The assembly instructions are supplied with the accessory.



## 10 EQUIPMENTS COMPATIBLE WITH THE VARIOTRACKS

When making hybrid energy systems, VarioTracks are often combined with the **Xtender** mentioned hereunder. They belong then to a system where they are interconnected via the communication bus. The full description of this equipment is available on our website: [www.studer-innotec.com](http://www.studer-innotec.com)

### 10.1 XTENDER INVERTERS/CHARGERS

The VarioTrack is compatible with all Xtender and it allows making PV/generator or PV/network hybrid systems that are perfectly coherent when the communication between the Xtender(s) and the VarioTrack(s) allows synchronizing the charging cycles of both pieces of equipment. When the function is activated using parameter {10037}, the Xtender is the master of the charge profile and will impose the voltage limits set by its cycle. It will remain so even if the equipment (Xtender) is turned off using the ON/OFF button.

On the other hand, if the Xtender is turned off using the main ON/OFF button (de-energized), the VarioTrack operates with the programmed values.



The charging current of the equipment add up with no priority. When the Xtender charging current is for example set to 100A and the VarioTrack supplies 80A, the battery charging current may be 180A during the bulk phase.

### 10.2 BATTERY STATUS PROCESSOR BSP- 500/1200

This module, supplied with a 500 or 1200A shunt, allows measuring the current, voltage and temperature of the battery. It calculates and supplies the system with all the information obtained from these measures such as the state of charge, time before discharge, history of the state of charge over 5 days, etc.



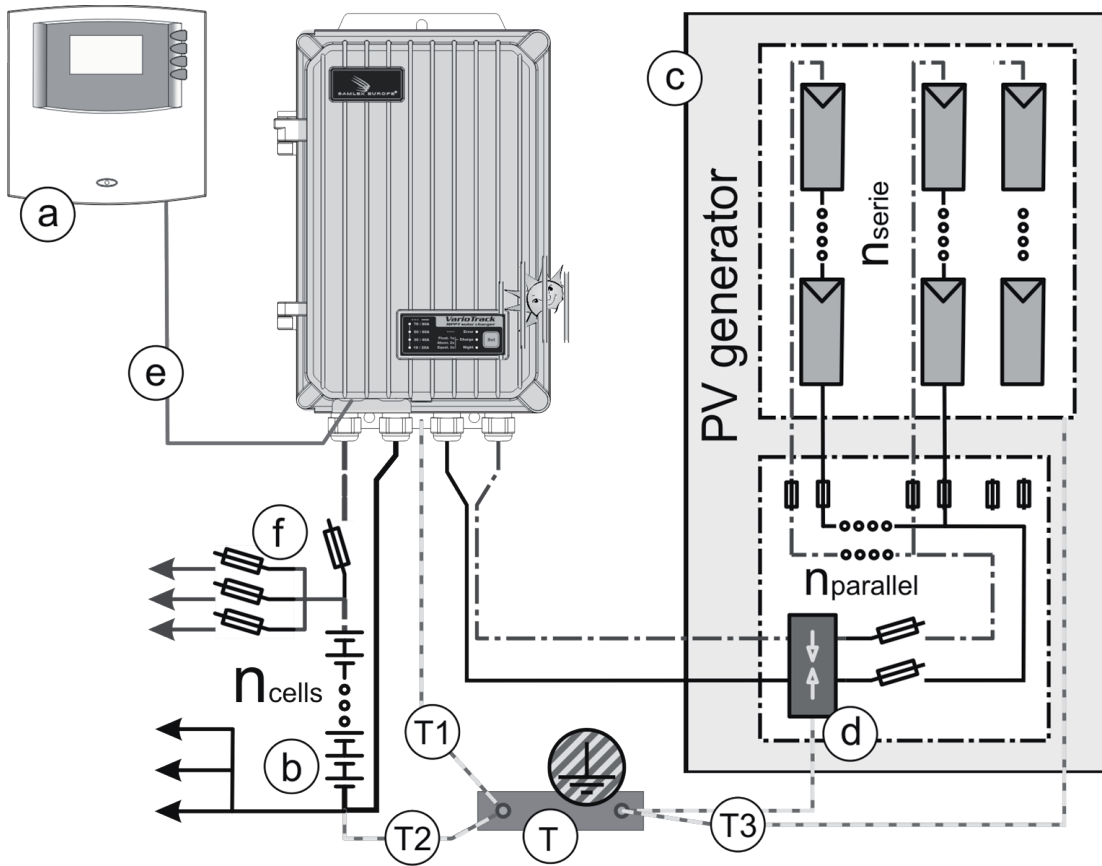
### 10.3 COMMUNICATION MODULE XCOM-232I

This isolated RS232 module allows accessing most of the values and parameters of the equipment connected to the communication bus. It also features an SD card for the acquisition of measured data, setting and history of the event generated by the equipment.



# 11 WIRING EXAMPLES

## 11.1 VARIOTRACK + RCC-02



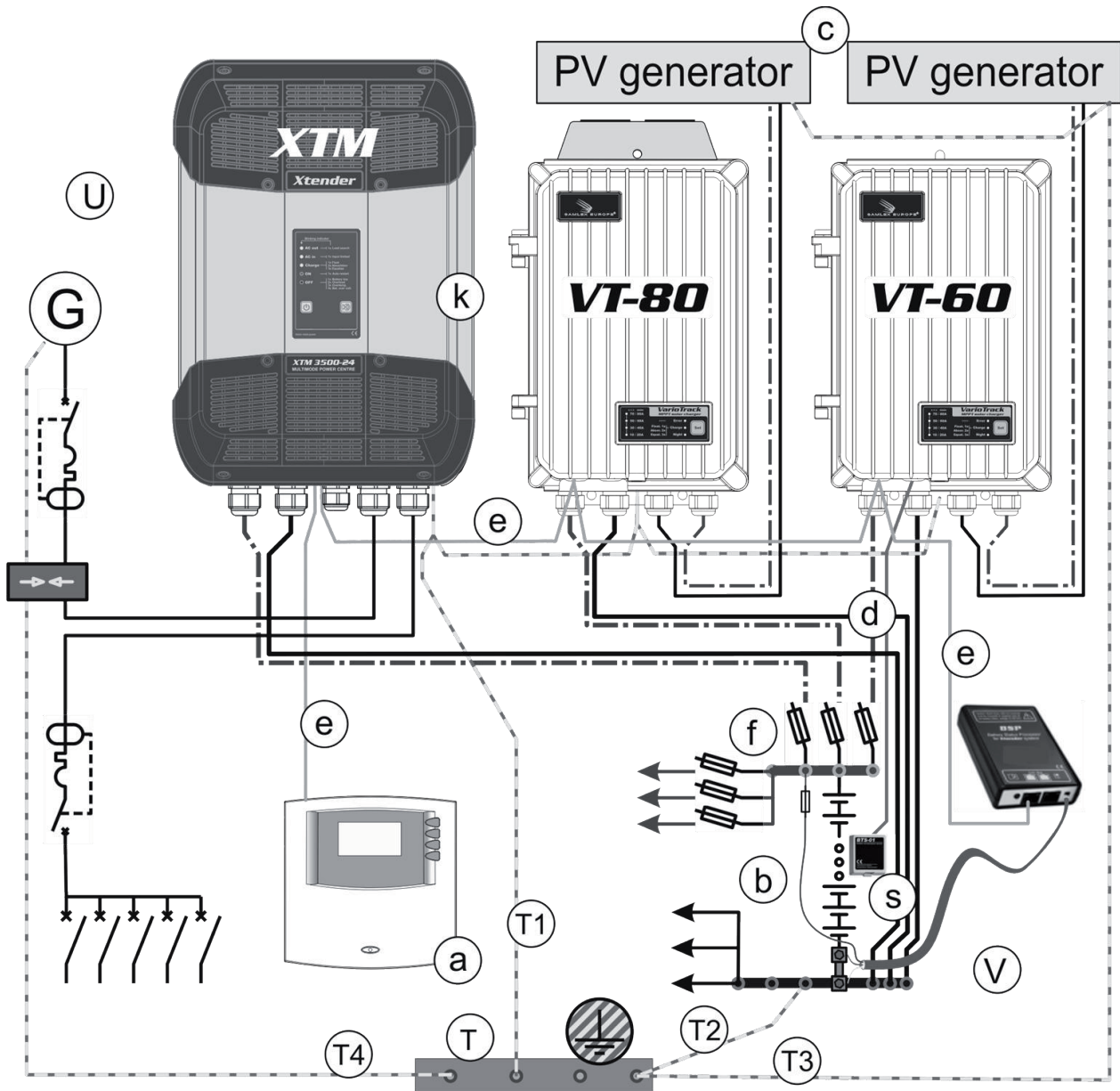
## 11.2 COMMENTS ON THE WIRING EXAMPLES

Elem.	Description	Refer to
a	Remote control	See chap. 9.1, 8.2 and 0
b	Battery	See chap. 4.4
c	Photovoltaic generator	See chap. 4.3
d	Lightning protection device	See chap. 4.7
e	Communication cable	See chap. 4.8
f	DC protection device	See chap. 4.4.4
k	Inverter Charger	See chap. 10.1
T	Protective earth	*Main protective earth/protective equipotential bonding connected to the conductive and accessible parts of the building and if possible, connected to a standard earth electrode.
T1	Protective earth for the equipment	*The equipment is designed to be connected to a protective earth (Class I) to which they must be connected.
T2	Protective earth for the battery	*The battery negative pole must be earthed. The other configurations must meet the recommendations at chap. 4.6
T3	Protective earth for the solar generator	*The protective earth for the PV generator and its lightning protection device are connected separately to the main protective earth (local equipotential bonding).
T4	Protective earth for the generator or the AC source	*Most often, within a hybrid installation, it is recommended to connect the earthing of the whole frame and the earthing of the lightning protection device to the main protective earth (T).
U	AC wiring related to the Xtender, not described in this	See chap. 10.1

	manual	
V	Wiring related to the BSP, not described in this manual	See chap. 10.2

\* National installation standards specific to the chosen application field must absolutely and as a priority be respected under the installer responsibility.

### 11.3 VARIOTRACK + XTENDER + RCC-02 + BSP + BTS-01 HYBRID SYSTEM



## **12 MAINTENANCE OF THE INSTALLATION**

Except for the periodic check of the connections (tightening, general condition) the VarioTrack does not require any particular maintenance.

## **13 PRODUCT RECYCLING**

The VarioTrack meet the European directive 2002/95/EC on hazardous substances and do not contain the following elements: lead, cadmium, mercury, hexavalent chrome, PBB or PBDE.



To dispose of this product, please use the service for the collection of electrical waste and observe all obligations in force in the place of purchase.



## **14 EC DECLARATION OF CONFORMITY**

The charge regulator described in this manual has been designed and manufactured in accordance with the following directives and harmonized standards.

EMC directive: 2004/108/EC

Reference standard: IEC/EN 61000-6-3:2011 - IEC/EN 61000-6-1:2005

Low voltage directive: 2006/95

Reference standard: IEC 62109-1:2010

RoHS directive: 2002/95/EC

1507 BA ZAANDAM/HOLLAND

Samlex Europe B.V. (M. van Veen)

A handwritten signature in cursive script, appearing to read "M. van Veen".

## 15 PARAMETER LIST

	Ref. no.	Parameter	Factory value	Modified value
BA	10001	System voltage	Auto	
BA	10002	Battery charging current	65/80A	
BA	10005	Battery floating voltage (at 48V*)	*54.4V	
BA	10008	Absorption authorized	Yes	
BA	10009	Battery absorption voltage (at 48V*)	*57.6V	
EX	10011	Absorption period	120 min	
EX	10013	Final current of the absorption phase	10A	
BA	10017	Equalization authorized	No	
EX	10019	Equalization before absorption phase	Yes	
EX	10020	Battery equalization current	80A	
BA	10021	Battery equalization voltage (at 48V*)	*62.4V	
EX	10022	Battery equalization period	30min	
EX	10025	Days between equalization	26 days	
EX	10026	End of equalization triggered by current	No	
EX	10027	Final current of the equalization phase	10A	
EX	10030	Voltage 1 for new cycle	*48.8V	
EX	10031	Undervoltage duration 1 for a new cycle	30	
EX	10032	Voltage 2 for new cycle	*48.0V	
EX	10033	Undervoltage duration 2 for a new cycle	5 sec.	
EX	10034	Maximum limit of the cycle repetition	No	
EX	10035	Minimum period between cycles	1h	
EX	10036	Temperature compensation coefficient	-3 mV/°C/cell	
BA	10037	Synchronization of a battery cycle with an Xtender	Yes	
EX	10052	Equalization at a fixed interval	Yes	
EX	10054	Inhibiting the configuration made by DIP switches	No	
EX	10060	Checking the earthing system	No	

\* These values are meant for a 48V battery system. They must be divided by 2 if the battery rated voltage is 24V and by 4 if the battery is 12V.



## 16 TECHNICAL DATA

16.1 INPUT (PV GENERATOR)	VT-65	VT-80
Max. current of the solar generator:	60A	75A
Max. voltage of the solar generator with a 12V battery:	80V dc	
Max. voltage of the solar generator with a battery > 24V:	150V dc	
Max. power of the solar generator:	1000/2000/4000W <sup>(1)</sup>	1250/2500/5000W <sup>(1)</sup>
Peak efficiency	98%	98%
Own power consumption: operating/night	<5W/<1W	<5W/<1W

(1) In order to meet the National Electrical Code (NEC) in force in the United States, the maximum current for the solar generator is 52A for the VarioTrack model VT-65 and 64A for model VT-80.

(2) The generator power depends on various elements as well as on the voltage and power limits recommended in chapter 4.3.1

16.2 OUTPUT (BATTERY)	VT-65	VT-80
Battery rated voltage	12V/24V/48V (automatic or manual setting)	
Battery input voltage range	7 - 68V	
Max. charging current of the battery at 25/40°C	65/60A	80/75A
« Night » mode consumption 12V-24V-48V	0.5W – 0.8W – 1.2W	
Charging phases: (adjustable threshold and duration)	Periodic or manual bulk, absorption, floating, equalization	
Battery temperature compensation	-3mV/°C/cell (ref. at 25°C)	
	-	
	-	
	-	

16.3 ENVIRONMENT	VT-65	VT-80
Dimensions (without cable-gland)	120 x 220 x 310 mm	120 x 220 x 350 mm
Weight	5,2 Kg	5,5 Kg
Degree of protection	IP 54, IEC/EN 60529-2001	
Operating range / Relative moisture	-20°C à 55°C / 100%	
Mounting place	indoor	
EC Conformity	EMC directive: 2004/108/EC IEC/EN 61000-6-3:2011 - IEC/EN 61000-6-1:2005 Low voltage directive: 2006/95/CE: IEC/EN 62109-1 2010 RoHS directive: 2002/95/EC	
Communication:	SAMLEX proprietary bus and protocol. Remote control and programming unit RCC-02/03 Isolated RS 232 with Xcom-232-i accessory.	

### 16.4 ELECTRONIC PROTECTION

Polarity reversal of the PV generator	Up to minus 150V
Polarity reversal on the battery side:	Up to minus 150V
Reverse current (night)	Disconnection by relays
Overvoltage on the battery side:	Up to 150V
Overtemperature	Max 70°C => power reduction /stop







[www.samlex.com](http://www.samlex.com)  
[www.samlex-solar.com](http://www.samlex-solar.com)